

Wandin Concave Curved Seat

Model 10CC/R19 - Wandin Concave Curved Seat with Back

DRAFFIN
Street Furniture



Wandin Concave Curved Seat with Back shares the same seat profile with the rest of the Wandin suite. Utilising a uniform batten profile used for both seat base and back to form unique curved seat shapes. All Wandin seats and benches are modular and can be joined end to end to create custom shapes.

Seat Back Configuration

- Full Back
- Half Back Left
- Half Back Right

Batten Material (See batten guide)

405mm x 40mm x 30mm

- Spotted Gum
- Enviroslat
- Anodised Aluminium
- Powdercoated Aluminium (See colour guide)
- Timber-Look Aluminium - Alpine Ash
- Timber-Look Aluminium - Mountain Gum
- Timber-Look Aluminium - Ironbark

Frame Material

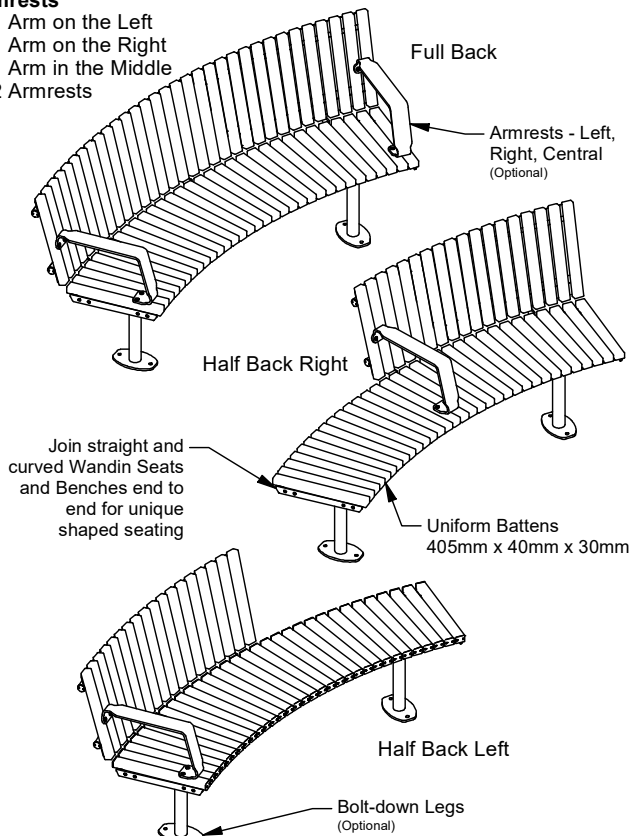
- Galvanised Mild Steel
- Powdercoated Gal Mild Steel (See colour guide)
- 304 Stainless Steel Brushed
- 304 Stainless Steel Bead Blasted
- 316 Stainless Steel Brushed
- 316 Stainless Steel Bead Blasted

Mounting Options

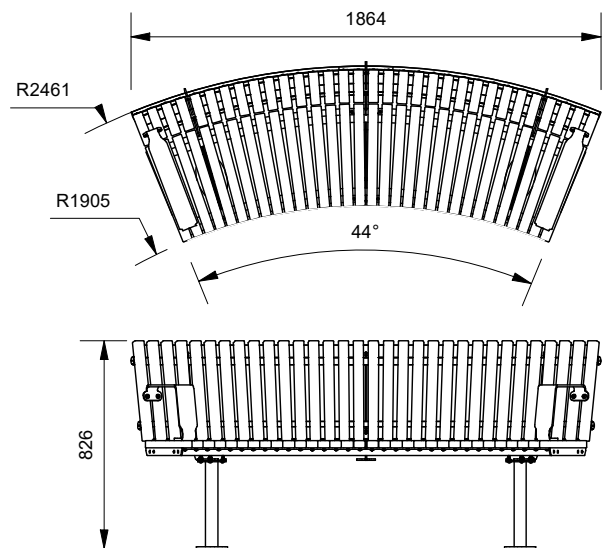
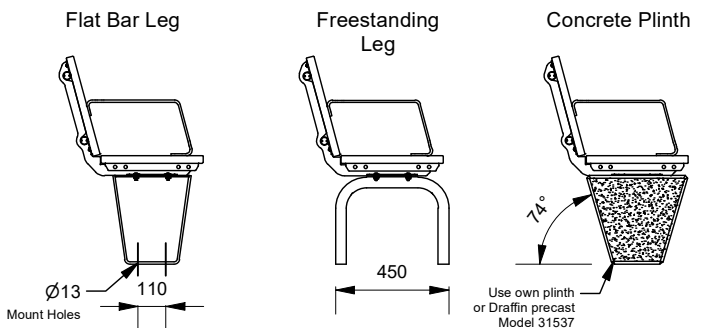
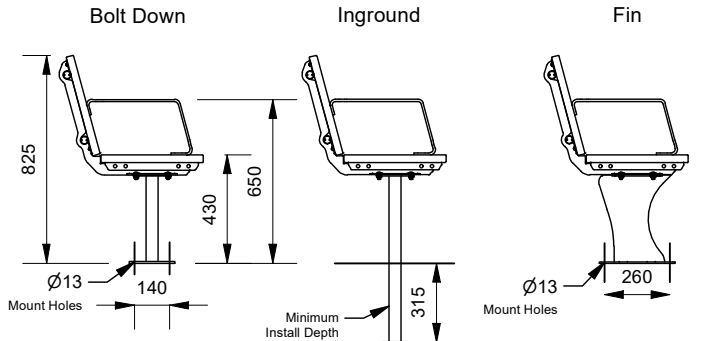
- Bolt Down
- Inground
- Fin Legs
- Flat Bar Leg
- Freestanding
- Concrete Plinth

Armrests

- 1 Arm on the Left
- 1 Arm on the Right
- 1 Arm in the Middle
- 2 Armrests



Leg Types



More information:
Go to the website for spec inspiration.

10CC/R19 - Wandin Concave Curved Seat with Back
<https://draffin.com.au/product/wandin-concave-curved-timber-seat-with-back/>

Batten Guide
<https://draffin.com.au/batten-guide/>

Colour and Plinth Guide
<https://draffin.com.au/colour-guide/>

Stainless Steel Guide
<https://draffin.com.au/stainless-steel-guide/>

Wandin Architectural Guide
<https://draffin.com.au/wandin-architectural-guide/>

DDA guide
<https://draffin.com.au/dda/>