

# Wandin Concrete Benches and Plinths

Wandin Concrete Benches - Pg.1  
Wandin Concrete Plinths - Pg.2

Wandin Concrete Benches use the same section profile as the rest of the Wandin Suite for either standalone use or modular placement to make longer winding and snaking shapes. Mix and match all Wandin Seats and Benches to create shapes suitable for placement in your space. Precast, the modules can be made in a range of base colours, aggregates and finishes.

### Major Modules

- Large Curved Bench Module
- Medium Curved Bench Module
- Small Curved Bench Module
- Straight Bench Module

### Minor Modules

- 90° Corner Bench Module
- 90° Corner Plinth Module
- Junction Bench Module
- Curved Corner Module

### Concrete Colour

- Off White
- Grey
- Charcoal
- Cream
- Brown

### Aggregate Mix

- White Quartz
- Blue Metal & River Pebble

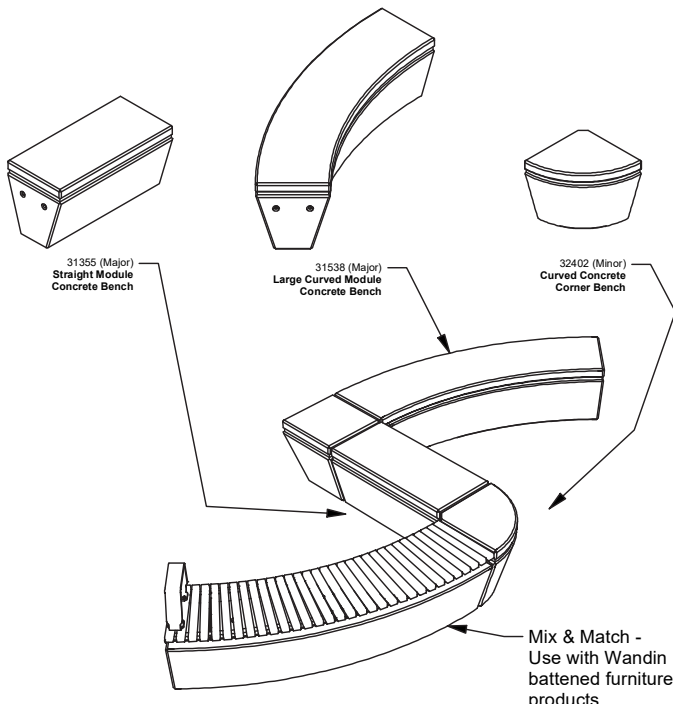
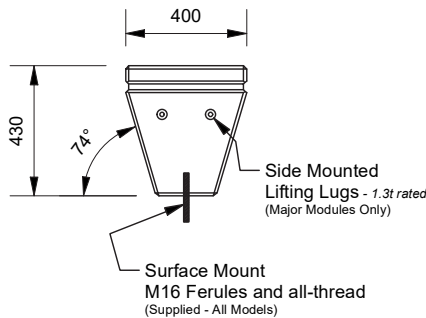
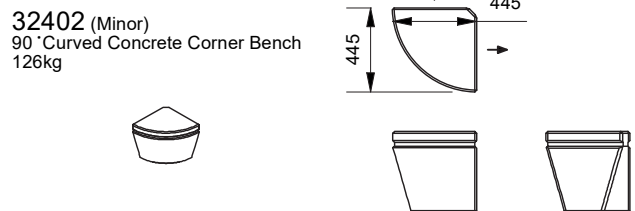
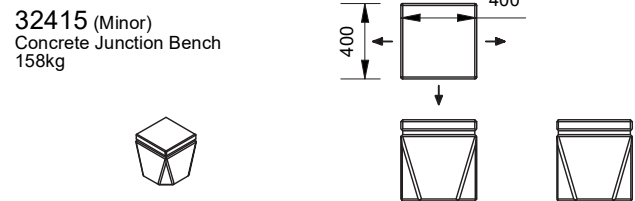
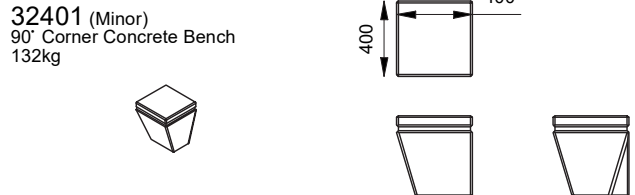
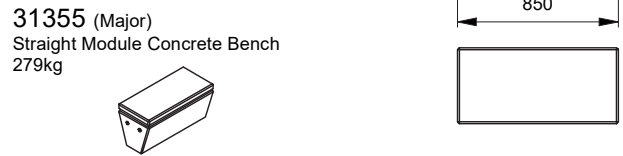
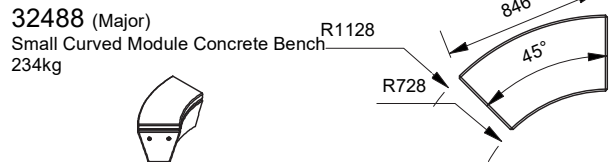
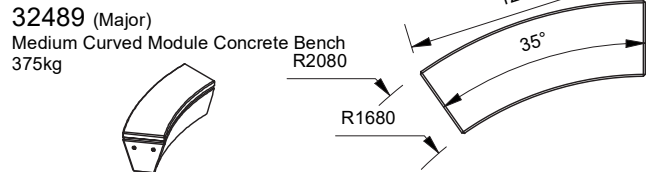
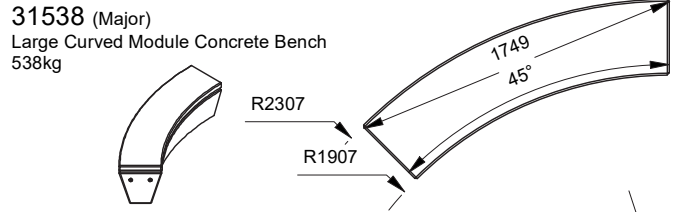
### Blasting Level

- Light Blast
- Medium Blast
- Heavy Blast

### Mounting Options

- Freestanding
- Surface Mounted

Mix and match Wandin furniture and Concrete Benches to create unique profiles for your space.



All Concrete Modules	
Concrete Strength	40MPa
Lifting Lugs	Rated 1.3t
Surface Mounting	Ferules with All-Thread - Supplied

# Wandin Concrete Benches and Plinths



Wandin Concrete Benches - Pg.1  
Wandin Concrete Plinths - Pg.2

Wandin Concrete Plinths are a mounting solution for Wandin Seats and Benches and can be used for either standalone use or modular placement to make longer winding and snaking shapes. Precast, the modules can be made in a range of base colours, aggregates and finishes. Specify concrete plinths as your mounting solution for your Wandin battened furniture.

## Major Modules

- Large Curved Plinth Module
- Medium Curved Plinth Module
- Small Curved Plinth Module
- Straight Plinth Module

## Minor Modules

- 90° Corner Plinth Module

## Concrete Colour

- Off White
- Grey
- Charcoal
- Cream
- Brown

## Aggregate Mix

- White Quartz
- Blue Metal & River Pebble

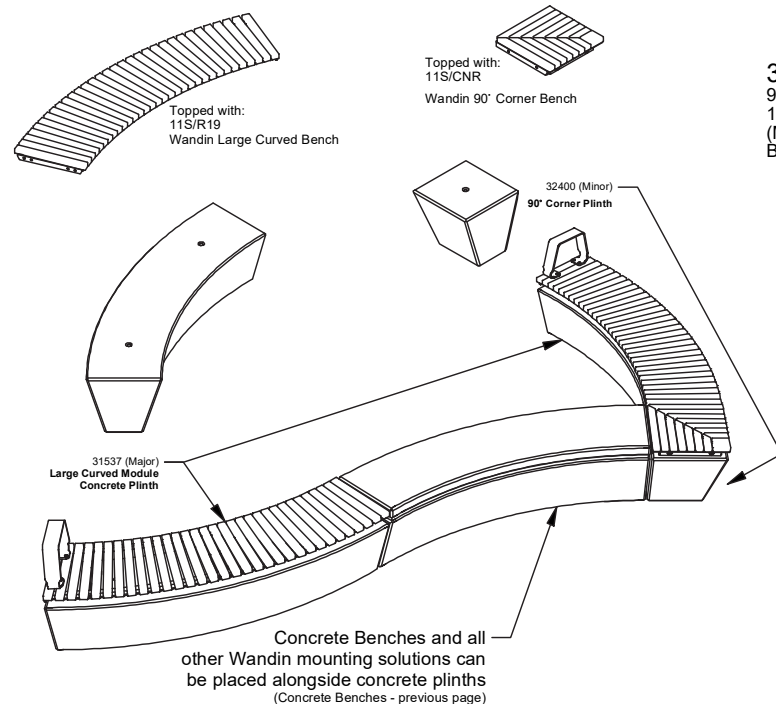
## Blasting Level

- Light Blast
- Medium Blast
- Heavy Blast

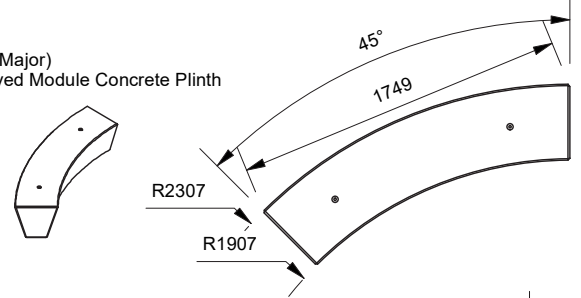
## Mounting Options

- Freestanding
- Surface Mounted

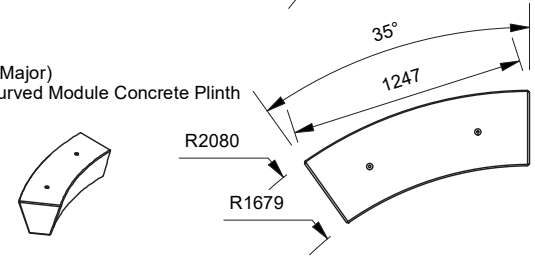
Mix and match Wandin furniture and Concrete Benches to create unique profiles for your space.



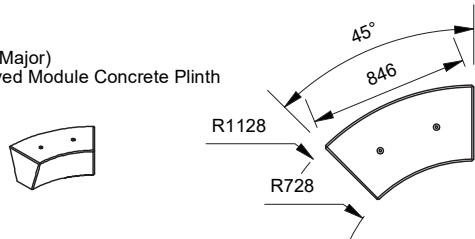
31537 (Major)  
Large Curved Module Concrete Plinth  
419kg



31070 (Major)  
Medium Curved Module Concrete Plinth  
293kg



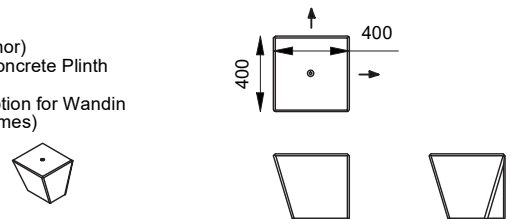
27368 (Major)  
Small Curved Module Concrete Plinth  
183kg



27369 (Major)  
Straight Module Concrete Plinth  
216kg



32400 (Minor)  
90° Corner Concrete Plinth  
103kg  
(Mounting Option for Wandin Battened Frames)



All Concrete Modules	
Concrete Strength	40MPa
Lifting Lugs	Rated 1.3t
Surface Mounting	Ferules with All-Thread - Supplied

More information:  
Go to the website for spec inspiration.  
**Wandin Concrete Benches and Plinths**  
<https://draffin.com.au/product/concrete-plinths-and-benches/>

Colour and Plinth Guide  
<https://draffin.com.au/colour-guide/>

Wandin Architectural Guide  
<https://draffin.com.au/wandin-architectural-guide/>

DDA guide  
<https://draffin.com.au/dda/>

# Wandin Concrete Modules

## Concrete Module Mounting and Installation

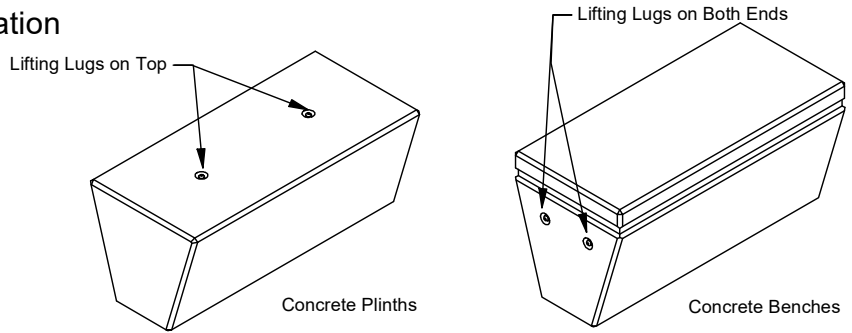
### Lifting Concrete Modules

Standard lifting lugs are supplied on all major concrete modules.

- Plinth Modules - Located on top (Hidden under frames)
- Bench Height Modules - Located on ends

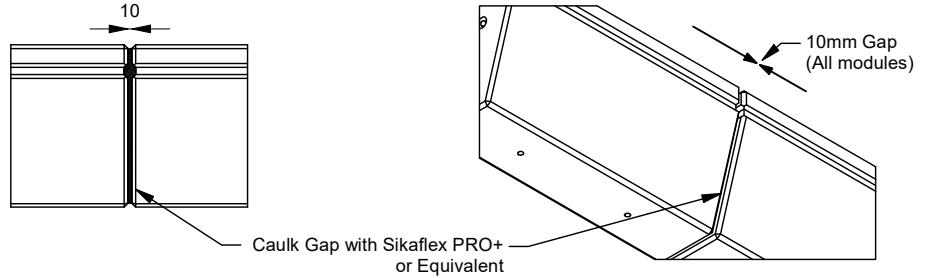
If required, a matching grout can be supplied to hide lugs or use Sikaflex PRO+ or equivalent.

No lifting lugs are provided on minor concrete modules. Use an appropriate sling to move minor modules into place.



### Concrete Module Placement

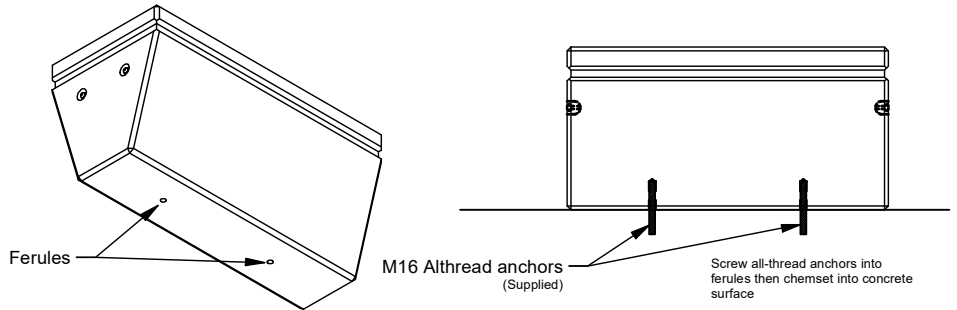
When placing concrete modules together, a 10mm gap is required to ensure correct module placement, especially when using Wandin frames to ensure uniform batten spacing.



### Surface Mounting Concrete Modules

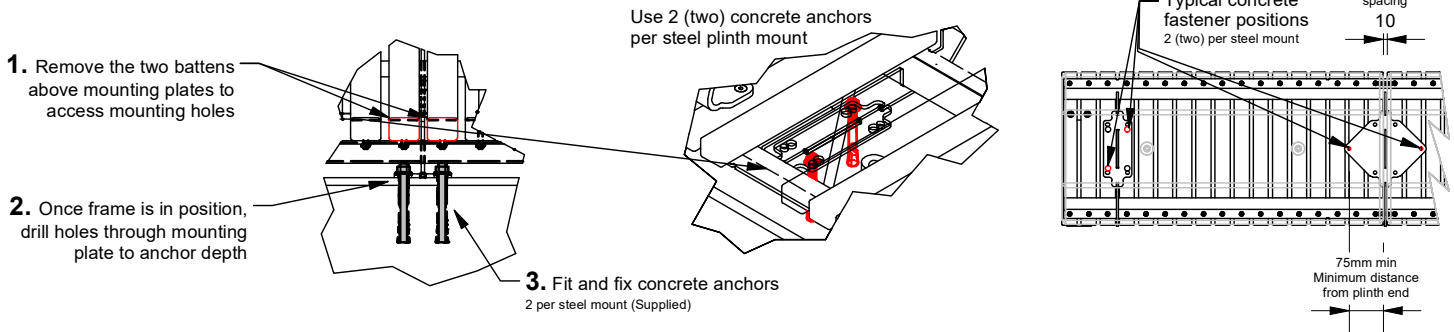
Concrete modules can be placed on compacted crushed rock or concrete slab.  
*(Site engineer to specify sub surface construction)*

All concrete modules have ferules provided for mounting to concrete surfaces.



### Mounting Wandin Frames to Concrete Plinths

Wandin frames can be mounted to concrete plinths. There is a concrete plinth available for most Wandin module profiles.

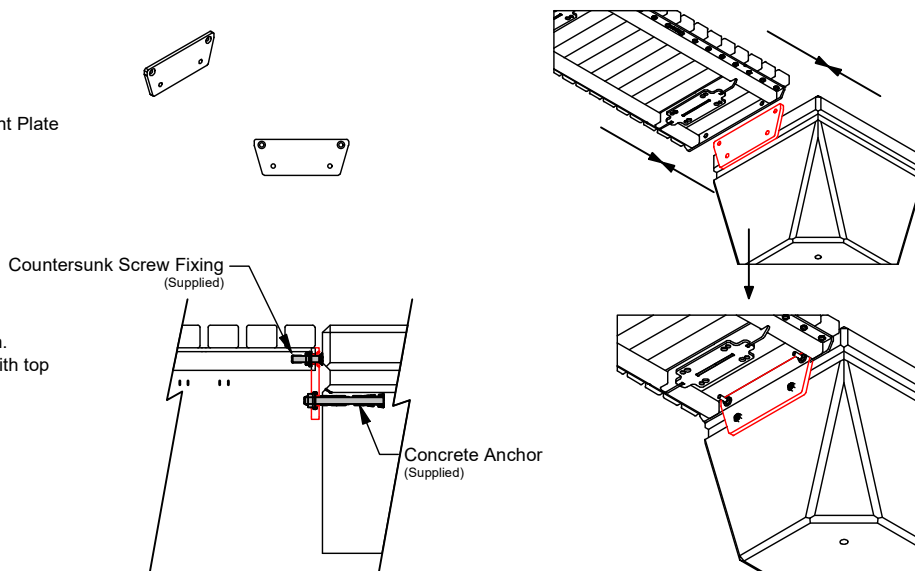


### Concrete Module End Mounts

Wandin frames can also be mounted to the ends of the concrete modules to create a flush frame to concrete mount without the need for a steel leg below the frame.

32509  
Concrete End Mount Plate

1. Fit End Mount Plate to Wandin frame using countersunk bolts.
2. Bring frame to the concrete bench. Align centrally and top of seat level with top of concrete bench.
3. Once frame is in position, drill holes through mounting plate to anchor depth.
4. Fit and fix concrete anchors.  
(Supplied)



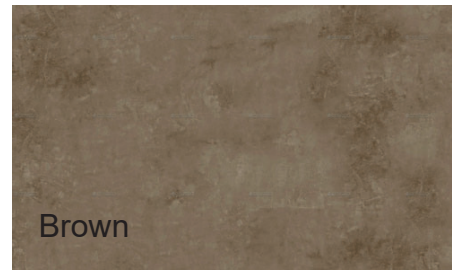
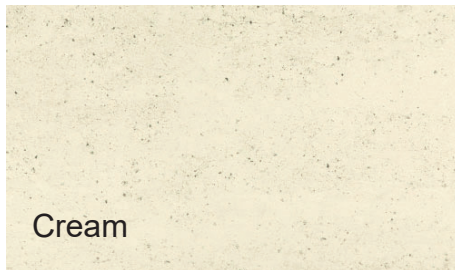
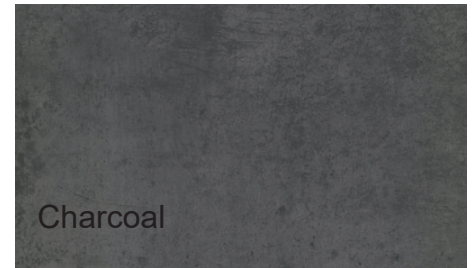
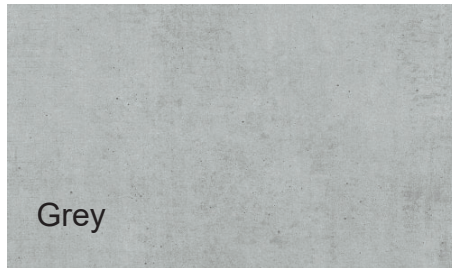
# Wandin Concrete Benches and Plinths

Wandin Concrete Bench and Plinth Colour Guide



Our standard pricing includes one base colour and one aggregate mix, with the client to nominate the level of blast required.

## Base Colour



## Aggregate Mix



## Blasting Level

