

800 Series 120lt Bin Surround

Model 813 - 800 Series Flat Cover 120lt Bin Surround
(Multi-bay)

DRAFFIN
Street Furniture



The 800 series Bin Surround with Flat Cover is ideal when used in high traffic indoor applications offering 360° access to the bin. 800 series bin surrounds also offer many optional extras to tailor a solution directly to your application.

Size

- 120lt

Number of Bays *(Joined Together)*

- Single Bay
- Double Bay
- Triple Bay

Cover Style

- Flat

Cover Material

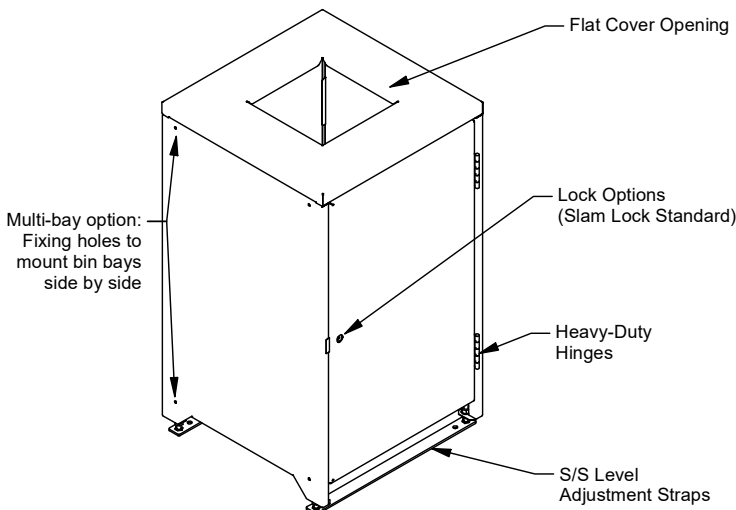
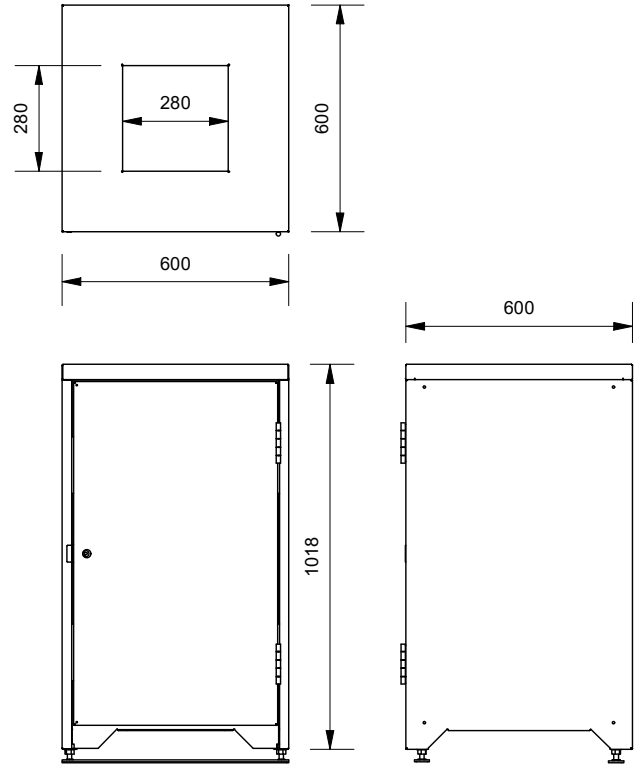
- Powdercoated Mild Steel *(See Colour Guide)*
- 304 Stainless Steel
- 316 Stainless Steel

Panel Material

- Powdercoated Mild Steel *(See Colour Guide)*
- 304 Stainless Steel
- 316 Stainless Steel

Other Options

- S/S Cam Lock *(Replaces Slam Lock)*
- Magnetic Door Latches
- Ashtray Module
- Dog Bag Dispenser
- Perforations *(See Perforation Guide)*
- Laser Cut Logos
- Logo Backing Plates
- Communication Signage *(See Signage Guide)*



More information:
Go to the website for spec inspiration.
813 - 120lt 800 Series Flat Cover Bin Surround
<https://draffin.com.au/product/flat-cover-800-series-modular-bin-surrounds/>

Colour Guide
<https://draffin.com.au/colour-guide/>

Signage Guide
<https://draffin.com.au/signage-guide/>

Stainless Steel Guide
<https://draffin.com.au/stainless-steel-guide/>

800 Series 240lt Bin Surround

Model 853 - 800 Series Flat Cover 240lt Bin Surround
(Multi-bay)

DRAFFIN
Street Furniture



The 800 series Bin Surround with Flat Cover is ideal when used in high traffic indoor applications offering 360° access to the bin. 800 series bin surrounds also offer many optional extras to tailor a solution directly to your application.

Size

- 240lt

Number of Bays *(Joined Together)*

- Single Bay
- Double Bay
- Triple Bay

Cover Style

- Flat

Cover Material

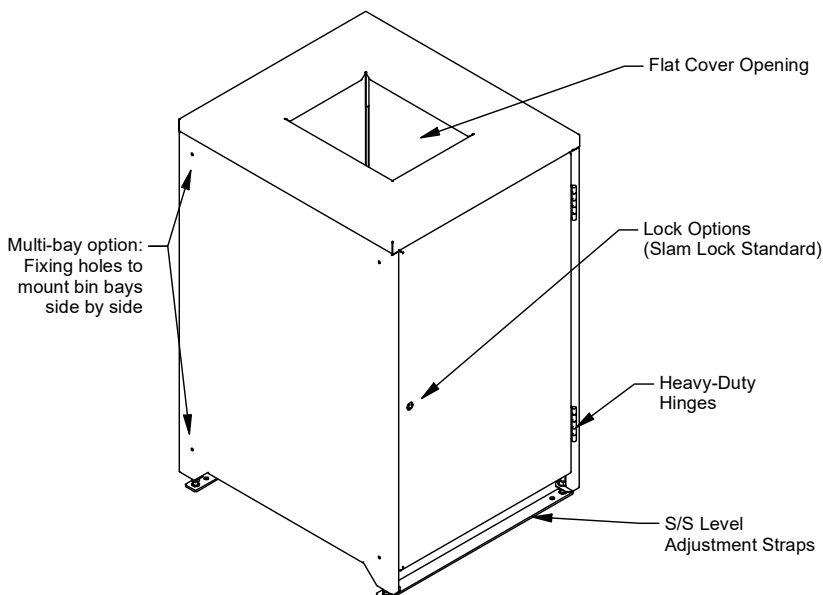
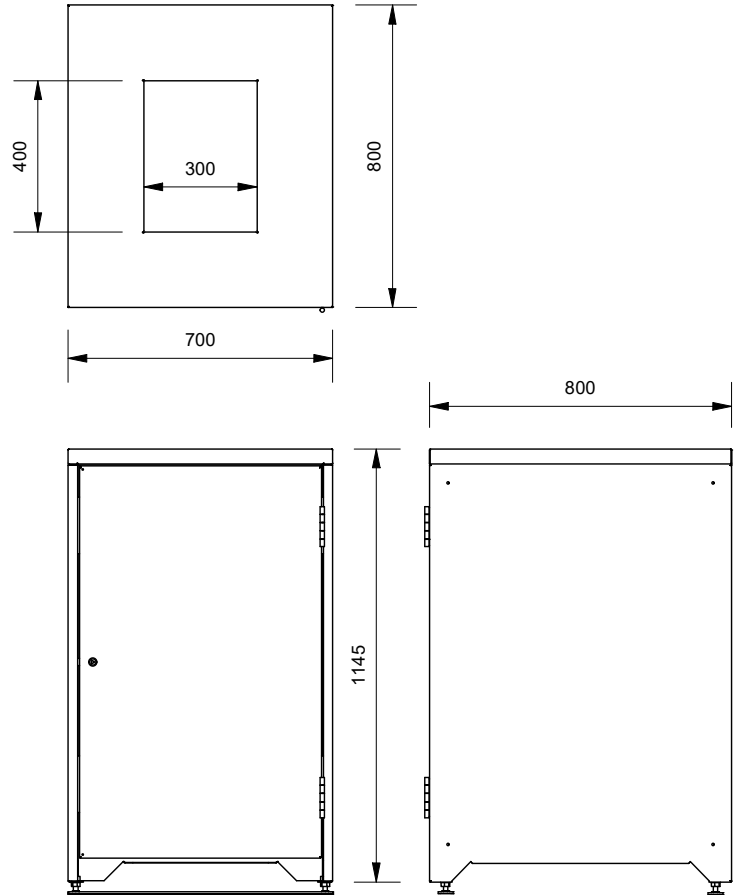
- Powdercoated Mild Steel *(See Colour Guide)*
- 304 Stainless Steel
- 316 Stainless Steel

Panel Material

- Powdercoated Mild Steel *(See Colour Guide)*
- 304 Stainless Steel
- 316 Stainless Steel

Other Options

- S/S Cam Lock *(Replaces Slam Lock)*
- Magnetic Door Latches
- Ashtray Module
- Dog Bag Dispenser
- Perforations *(See Perforation Guide)*
- Laser Cut Logos
- Logo Backing Plates
- Communication Signage *(See Signage Guide)*



More information:
Go to the website for spec inspiration.
853 - 240lt 800 Series Flat Cover Bin Surround
<https://draffin.com.au/product/flat-cover-800-series-modular-bin-surrounds/>

Colour Guide
<https://draffin.com.au/colour-guide/>

Signage Guide
<https://draffin.com.au/signage-guide/>

Stainless Steel Guide
<https://draffin.com.au/stainless-steel-guide/>

800 Series Bin Surround Installation

Installation Guide - 800 Series Flat Cover Bin Surround (Multi-bay)



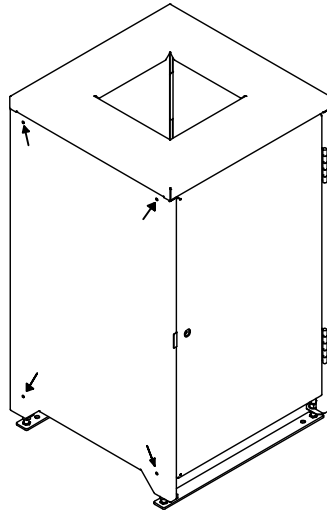
800 Series Multi-bay feature

Each 800 Series bay provides four mounting holes on each of the side panels to fix multiple bays side by side.

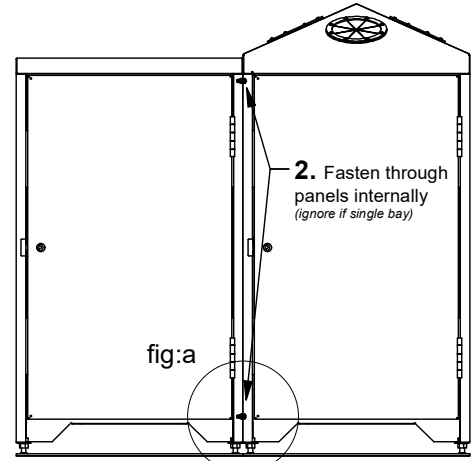
(shipped as single bay for assembly onsite - fasteners supplied with every 800 series bin surround)

Multi-bay applications include:

- extra capacity
- waste separation



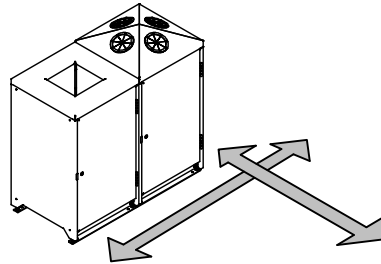
1. Bring Bays together



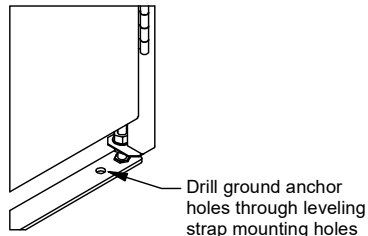
3. Join as many bays together as needed. (ignore if single bay)

*Bay openings can be configured in any order and can face the front or the back

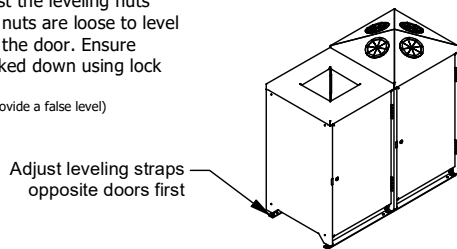
4. Place bin surround(s) in desired final location (with regard to final positioning on slab using detail indicated on "leveling strap" diagram (bottom, right))



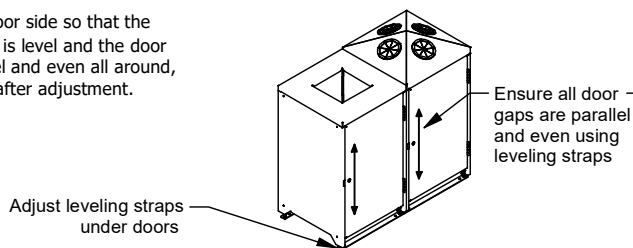
5. Using Leveling Strap mounting holes as a template, drill ground surface to suit chosen ground anchors then fit ground anchors.



6. Once the leveling straps are fixed to the surface, adjust the leveling nuts while the locking nuts are loose to level the end opposite the door. Ensure adjustment is locked down using lock nuts. (Loose lock nuts may provide a false level)

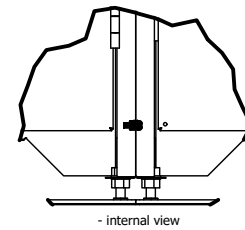


7. Level the door side so that the whole surround is level and the door gaps are parallel and even all around, and lock down after adjustment.



8. Recheck all levels and door gaps and retighten lock nuts on leveling straps.

fig:a



Leveling Straps

