

Aluminium Bench Seat

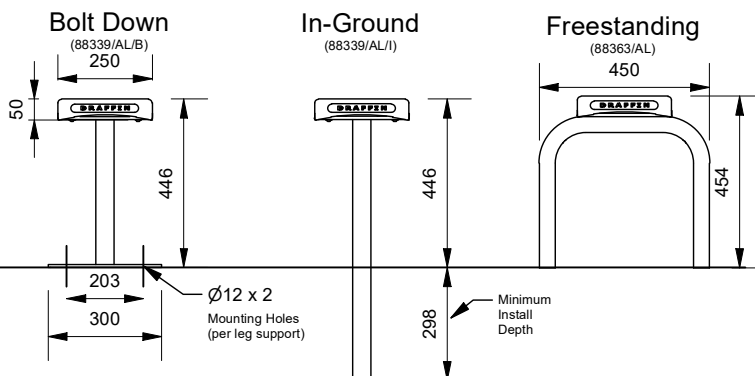
Model 88339/AL - Aluminium Bench Seat (Inground/Boltdown)

Model 88363/AL - Freestanding Bench Seat (Stackable)

DRAFFIN
Street Furniture



The Aluminium Bench Seat is a dependable and economical solution ready to install in any space where seating is needed. Parks, shelters, change rooms, and street curbs, you can be sure this bench is built to endure public use. Explore finish options for the frames and aluminium planks, and a range of coloured plank end caps.



Plank Finishes

- Anodised Aluminium
- Powdercoated
- Timber-Look Aluminium - Alpine Ash
- Timber-Look Aluminium - Mountain Gum
- Timber-Look Aluminium - Ironbark

Length Options

- 1750mm
- 3000mm
- 4000mm
- 5000mm
- 6000mm
- Custom

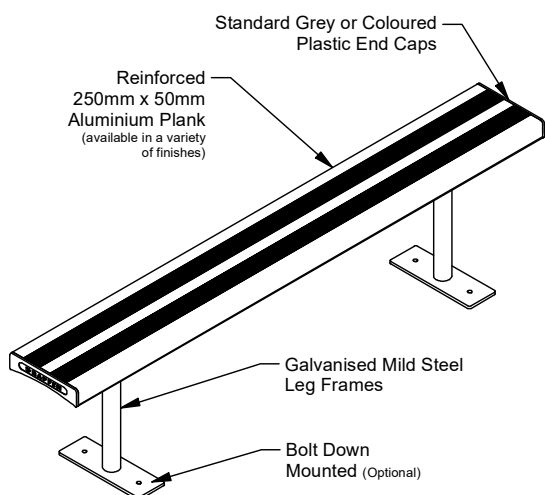
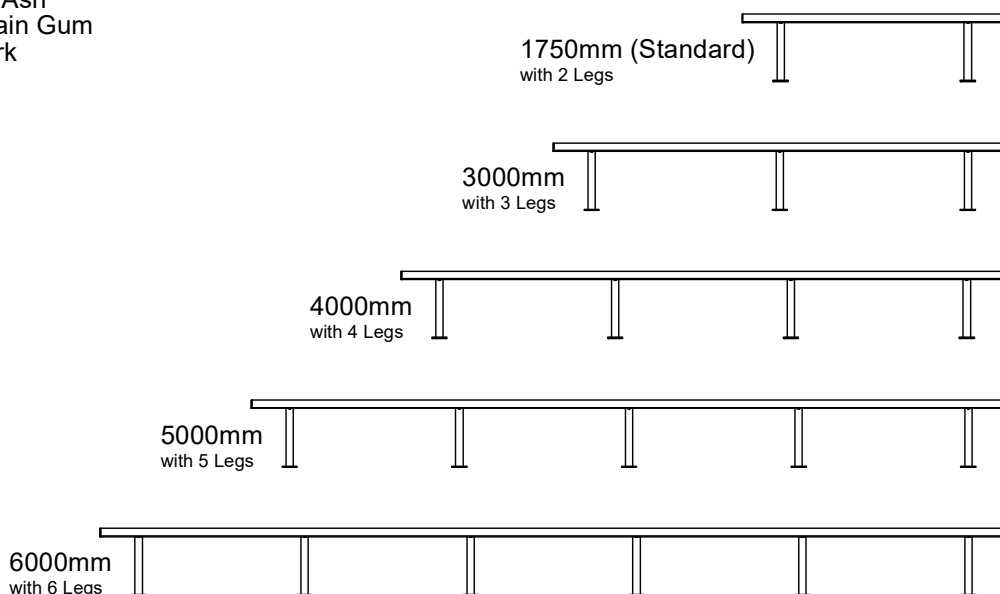
Mounting Options

- Bolt Down
- In-ground
- Freestanding

Other Options

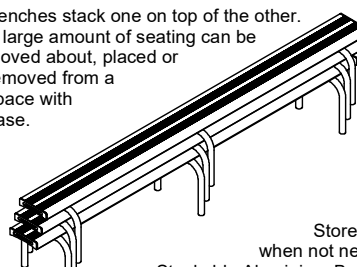
- Powdercoat Frames
- Coloured End Caps

Standard Lengths



Stackable/Freestanding Model

Benches stack one on top of the other. A large amount of seating can be moved about, placed or removed from a space with ease.



Store away when not needed. Stackable Aluminium Benches can convert an empty open space for seating many people quickly and easily.

More information:
Go to the website for spec inspiration.
88339/AL - Aluminium Bench Seat
88363/AL - Freestanding Bench Seat
<https://draffin.com.au/product/aluminium-bench-seat/>

Powdercoat Colour Guide
<https://draffin.com.au/colour-guide/>

Plank Colour Guide (Use Batten Guide)
<https://draffin.com.au/batten-guide/>