

Deluxe Seat

Model 87896 - Deluxe Seat

DRAFFIN
Street Furniture



The appropriately named "Deluxe Seat" has the works built into it. Heavy gauge material is used in the fully welded frames to produce a rock solid frame that supports battens that are laid across a comfortable seating profile. And fully welded armrests form part of the Deluxe Seats extremely rigid frame. Engineered to stand the test of time, the Deluxe Seat is specified into municipalities that demand dependable reliability.

Batten Material (See batten guide)

40mm x 30mm

- Spotted Gum
- Enviroslat
- Aluminium
- Powdercoated Aluminium
- Timber-Look Aluminium - Alpine Ash
- Timber-Look Aluminium - Ironbark
- Timber-Look Aluminium - Mountain Gum

Frame Material

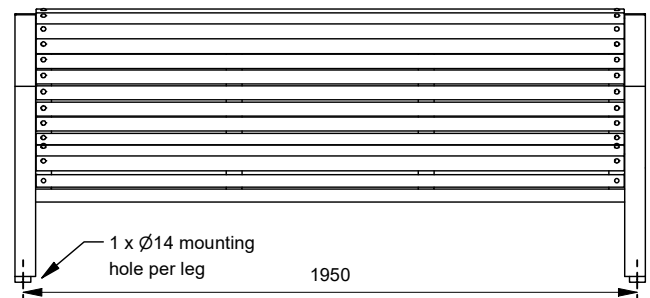
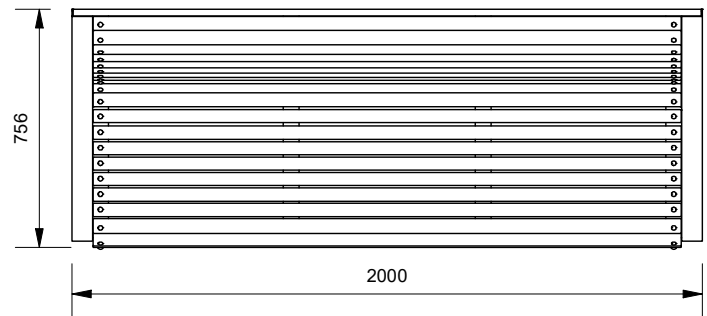
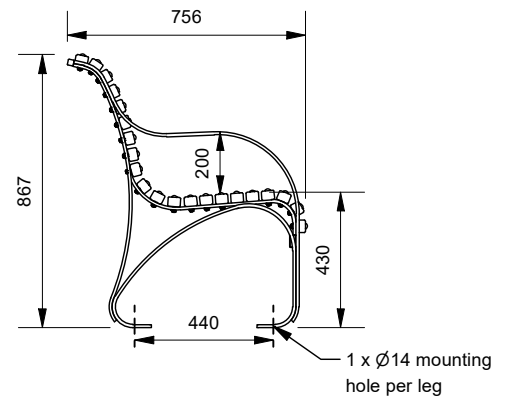
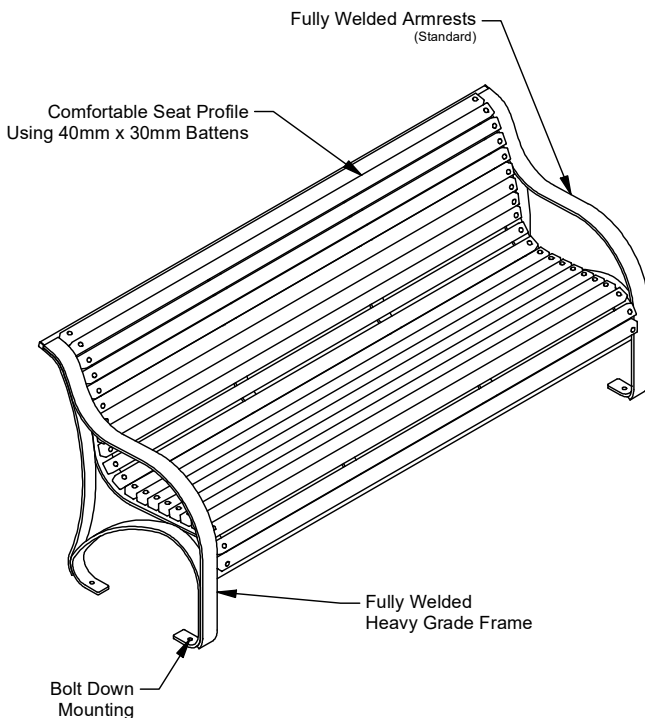
- Galvanised Mild Steel

Mounting Options

- Bolt Down
- In-ground Anchors

Other Options

- Powdercoat Frames (See colour guide)



More information:

Go to the website for spec inspiration.

87896 - Deluxe Seat

<https://draffin.com.au/product/deluxe-seat/>

Batten Guide

<https://draffin.com.au/batten-guide/>

Colour

<https://draffin.com.au/colour-guide/>

DDA guide

<https://draffin.com.au/dda/>