

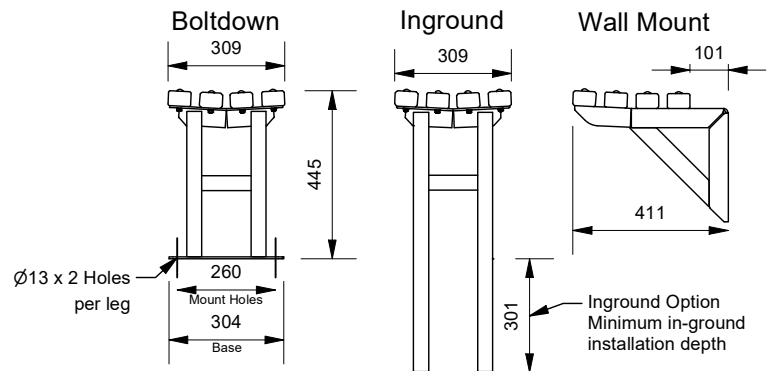
Slim Timber Bench

Model 105 - Slim Timber Bench

DRAFFIN
Street Furniture



The Slim Timber Bench is a basic bench suitable for many school and park applications. Made in several standard lengths with Timber, Enviroslat and Aluminium batten options. And with bolt-down, in-ground and wall mount variants available, the Slim Timber Bench can be tailored to work in almost any space.



Batten Material (See batten guide)

60mm x 30mm

- Spotted Gum
- Anodised Aluminium
- Powdercoated Aluminium (See colour guide)
- Timber-Look Aluminium - Alpine Ash
- Timber-Look Aluminium - Mountain Gum
- Timber-Look Aluminium - Ironbark

60mm x 40mm

- Enviroslat

Frame Material

- Galvanised Mild Steel

Length Options

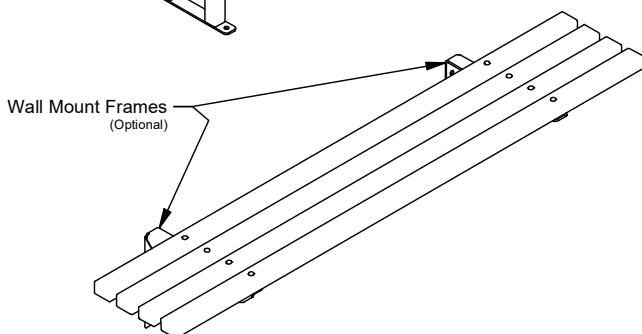
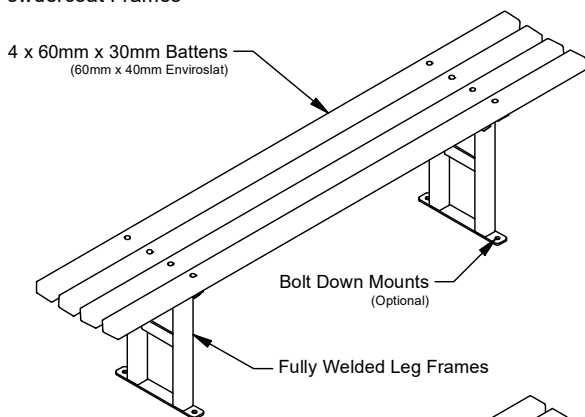
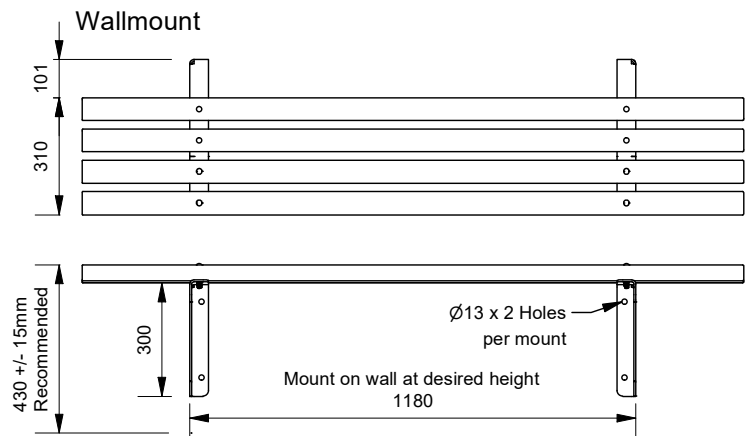
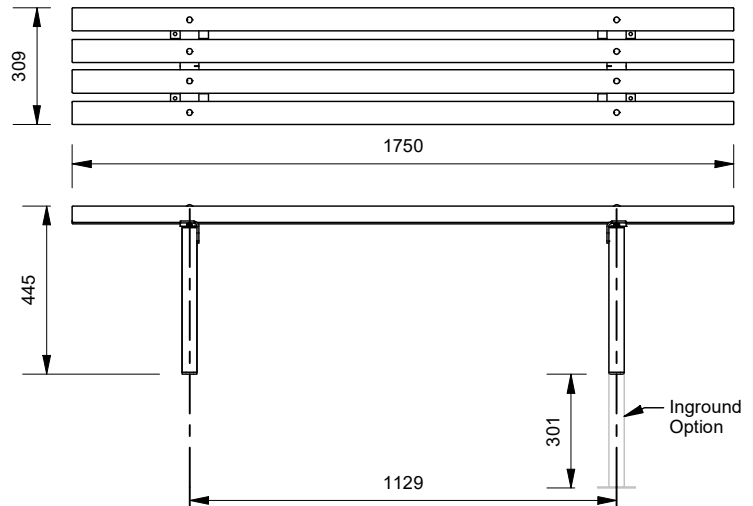
- 1750mm (Standard)
- 2000mm (Pg.2)
- 3000mm (Pg.2)
- Custom

Mounting Options

- Bolt Down
- Inground
- In-Ground Anchors
- Wall Mount

Other Options

- Powdercoat Frames



More information:
Go to the website for spec inspiration.

105 - Slim Timber Bench

<https://draffin.com.au/product/slim-timber-clad-bench/>

Batten Guide

<https://draffin.com.au/batten-guide/>

Colour and Plinth Guide

<https://draffin.com.au/colour-guide/>

DDA guide

<https://draffin.com.au/dda/>

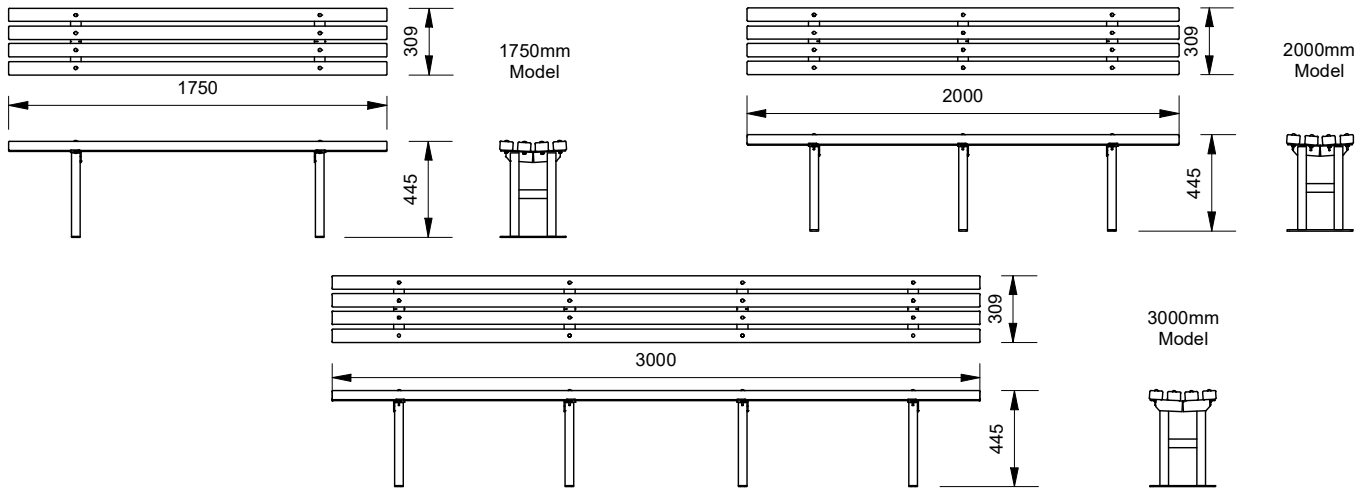
Slim Timber Bench

Model 105 - Slim Timber Bench

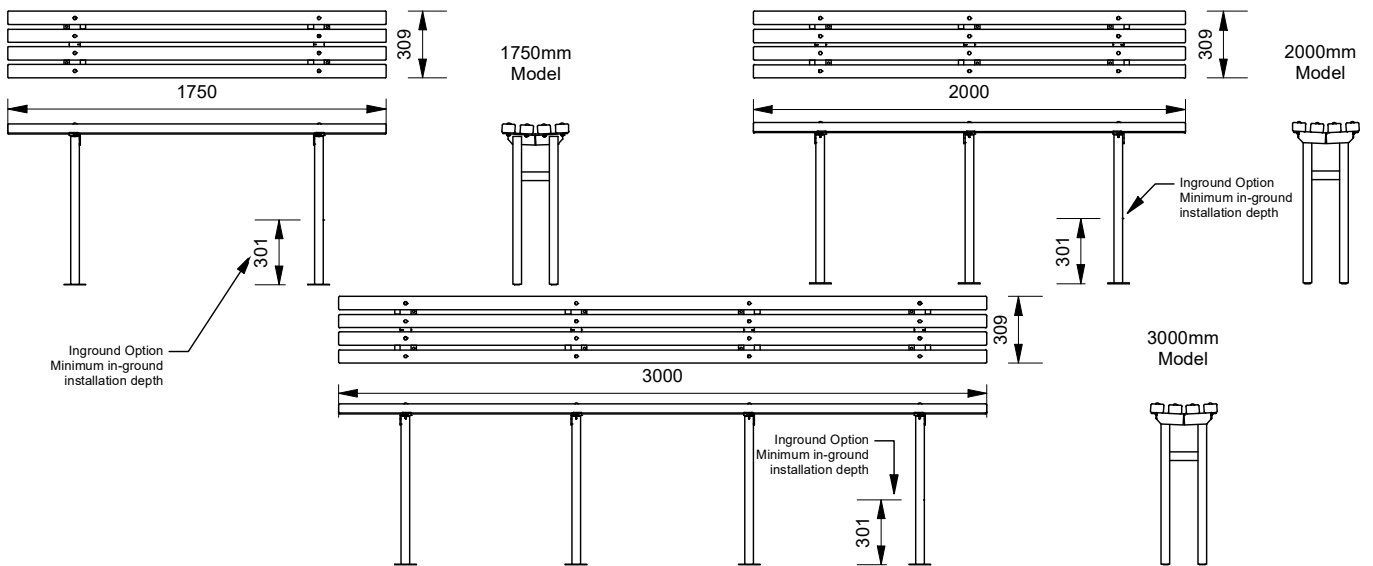
DRAFFIN
Street Furniture



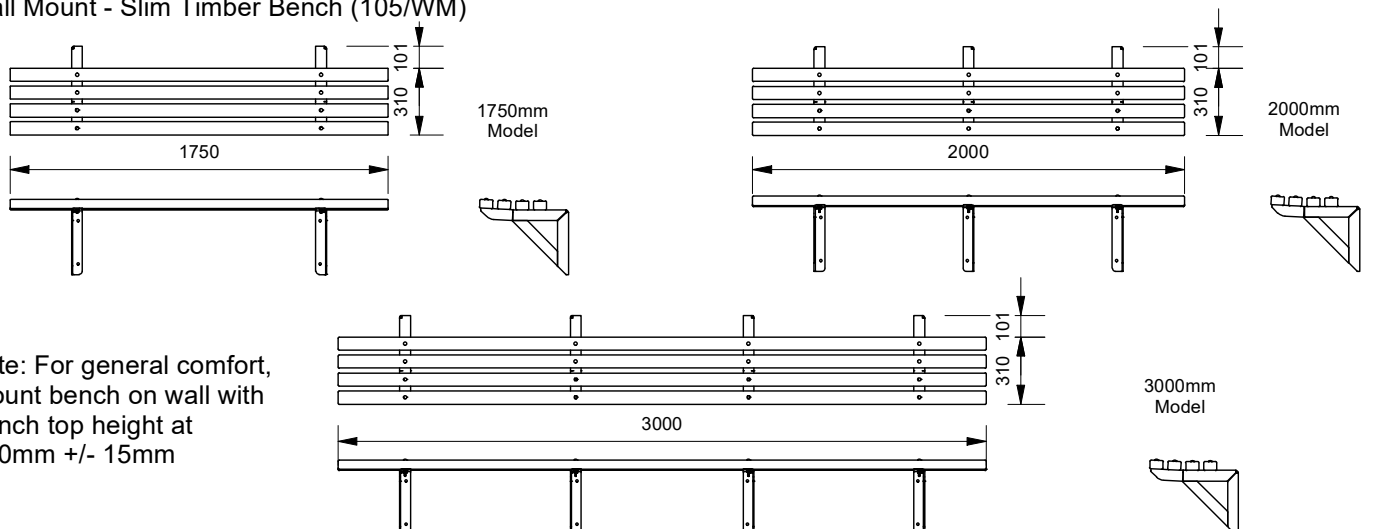
Bolt Down - Slim Timber Bench (105/B)



Inground - Slim Timber Bench (105/I)



Wall Mount - Slim Timber Bench (105/WM)



note: For general comfort,
mount bench on wall with
bench top height at
430mm +/- 15mm