

Round Bin with Steel Liner

380 - Round Bin with Steel Liner



The Hawthorn Bin is a classic, rugged and compact round bin housing that includes a 55lt galvanised mild steel liner, securely locked using standard 8mm Tri-Key locking system. With many standard perforation patterns and powdercoat colours you can style them to suit your space. Great for parking areas and schools or where compact bin solutions are needed.

Cover Material

- Powdercoated
- 316 Stainless Steel

Panel Material

- Powdercoated
- 316 Stainless Steel

Mounting Options

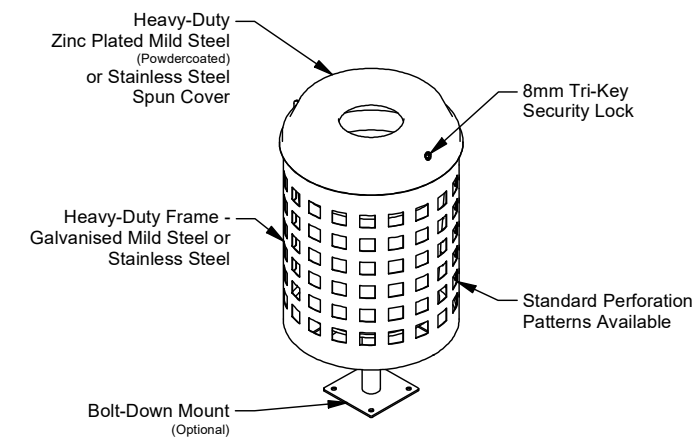
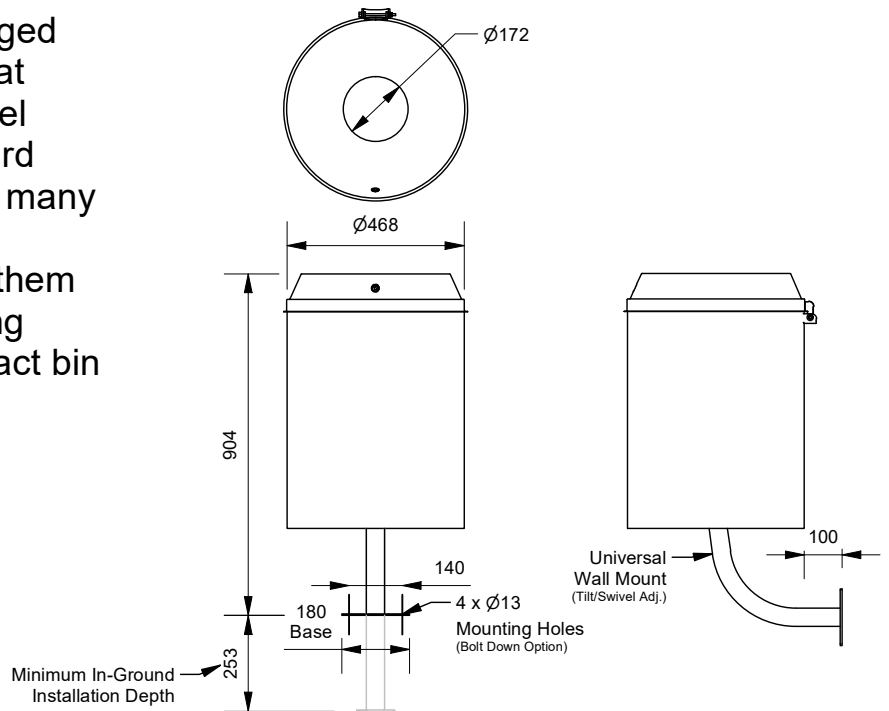
- Bolt Down
- In Ground
- Wall Mount

Perforation Pattern

- Blank
- Pattern A
- Pattern B
- Pattern C
- Pattern D
- Pattern E
- Pattern G
- Pattern H
- Retro

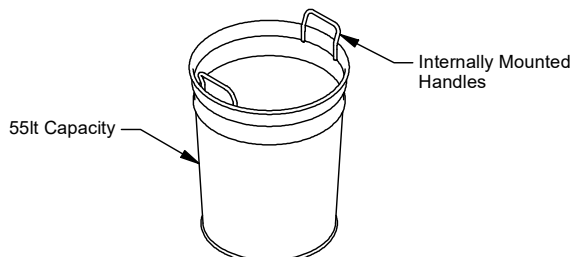
Other Options

- Communication Signage

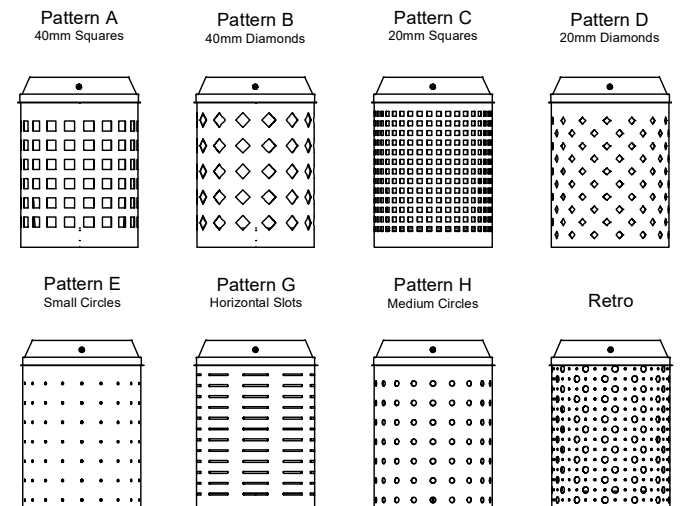


55lt Galvanised Mild Steel Liner

(Included)



Standard Perforation Patterns



More information:

Go to the website for spec inspiration.

380 - Round Bin with Steel Liner
<https://draffin.com.au/product/round-bin-with-steel-liner/>

Colour Guide
<https://draffin.com.au/colour-guide/>

Signage Guide
<https://draffin.com.au/signage-guide/>

Stainless Steel Guide
<https://draffin.com.au/stainless-steel-guide/>