

Curved Park Seat

Model 128 - Curved Park Seat

DRAFFIN
Street Furniture



The Curved Park Seat features slim battens that drape over fully welded end frames that create a traditional yet comfortable profile. All standard Draffin Street Furniture batten materials can be optioned. Armrests can be added, and the seat can be optioned as bolt down or inground, for placement almost anywhere.

Batten Material (See batten guide)

40mm x 30mm

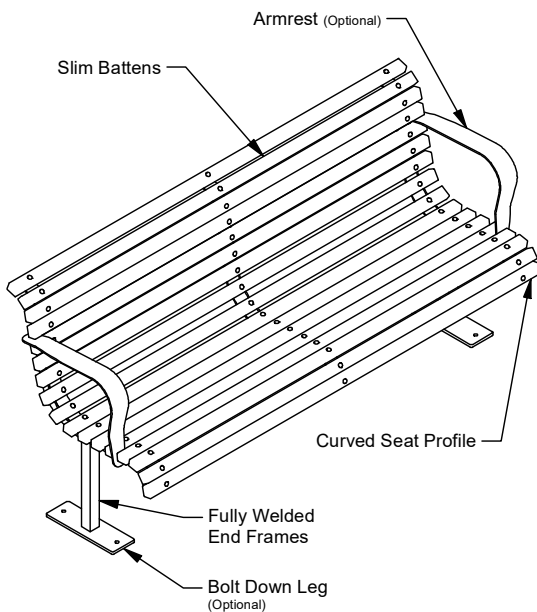
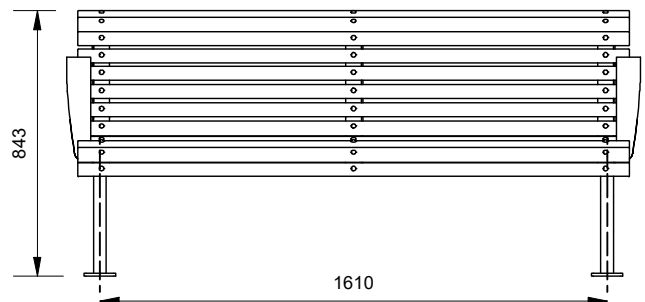
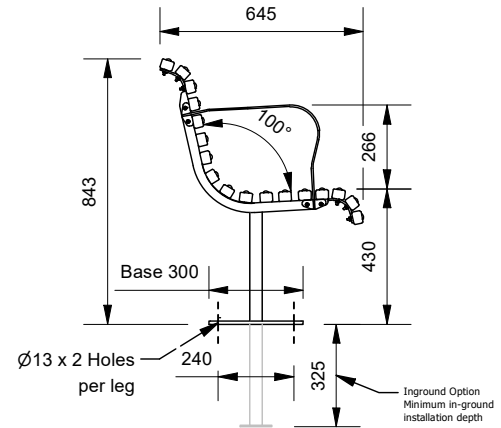
- Spotted Gum
- Enviroslat Composite
- Anodised Aluminium
- Powdercoated Aluminium (See colour guide)
- Timber-Look Aluminium - Alpine Ash
- Timber-Look Aluminium - Mountain Gum
- Timber-Look Aluminium - Ironbark

Mounting Options

- Bolt Down
- Inground

Other Options

- Armrests
- Powdercoat Frames
- Custom Dimensions



More information:
Go to the website for spec inspiration.
128 - Curved Park Seat
<https://draffin.com.au/product/curved-park-seat/>

Batten Guide
<https://draffin.com.au/batten-guide/>

Colour Guide
<https://draffin.com.au/colour-guide/>

DDA guide
<https://draffin.com.au/dda/>