

# Single Tub Internal Recycling Bin

Model 88923 - Single Tub Internal Recycling Bin

**DRAFFIN**  
Street Furniture



The Single Tub Internal Recycling Bin is a discreet and compact commercial grade bin with a 76lt galvanised mild steel liner. Panels can be specified in powdercoated mild steel or stainless steel, with polished stainless steel or powdercoated skirt and covers. Add casters for manoeuvrability.

## Panel Material

- Powdercoated Mild Steel
- 304 Stainless Steel
- 316 Stainless Steel

## Cover Material

- Powdercoated Mild Steel
- 304 Stainless Steel
- 316 Stainless Steel

## Skirt Options

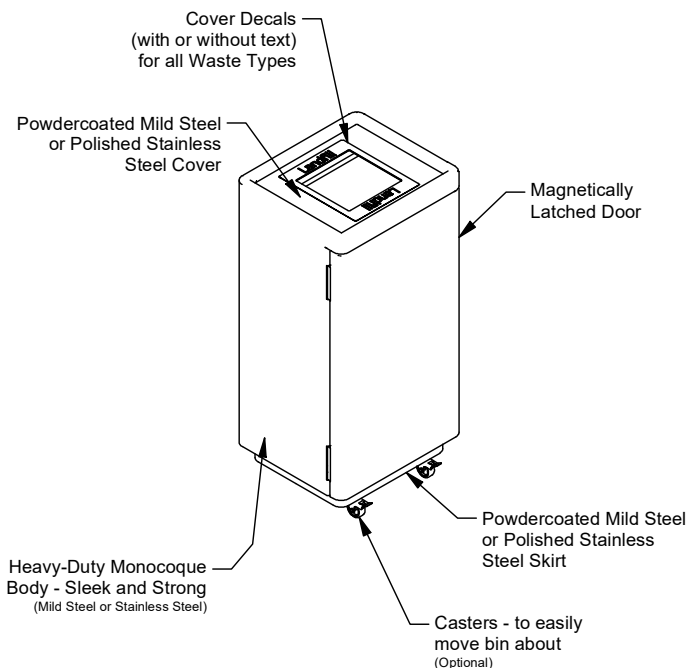
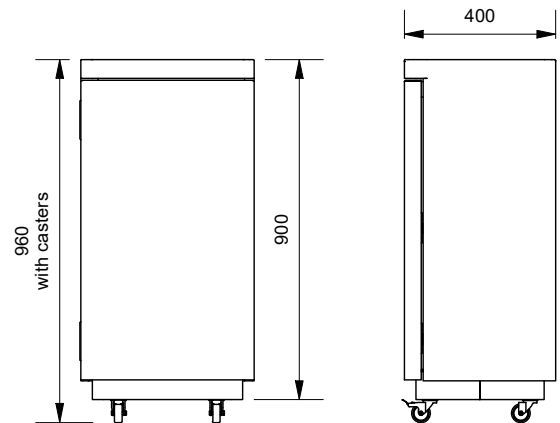
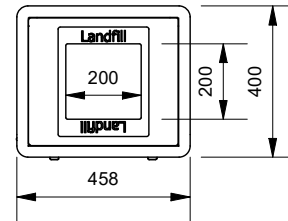
- Powdercoated Mild Steel
- 304 Stainless Steel
- 316 Stainless Steel

## Mounting Options

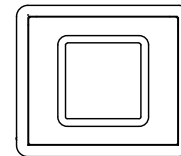
- Freestanding
- Casters

## Other Options

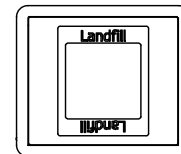
- Laser Cut Logo
- Logo Backing Plates
- Communication Signage



Cover Decals  
With No Text



Cover Decals  
With Text



More information:  
Go to the website for spec inspiration.

**88923** - Single Tub Internal Recycling Bin  
<https://draffin.com.au/product/single-tub-internal-recycling-bin/>

Colour Guide  
<https://draffin.com.au/colour-guide/>

Signage Guide  
<https://draffin.com.au/signage-guide/>

Stainless Steel Guide  
<https://draffin.com.au/stainless-steel-guide/>