

Heavy Duty Aluminium Picnic Table (long)

Model 87916/AL - Heavy Duty Aluminium Picnic Table (long)

DRAFFIN
Street Furniture



The long Heavy Duty Aluminium Picnic Table provides a standard length, economical public picnic table solution, in an extremely heavy-duty package, with a pedestal mounting. Pedestal mounted furniture has one mounting point, making it easy to sweep and mow around. Large aluminium planks and beefy frames ensure reliable performance for the life of the product.

Batten Options (See Batten Guide)

250mm x 50mm Aluminium Planks

- Anodised Aluminium
- Powdercoated
- Timber-Look Aluminium - Alpine Ash
- Timber-Look Aluminium - Mountain Gum
- Timber-Look Aluminium - Ironbark

Mounting Options

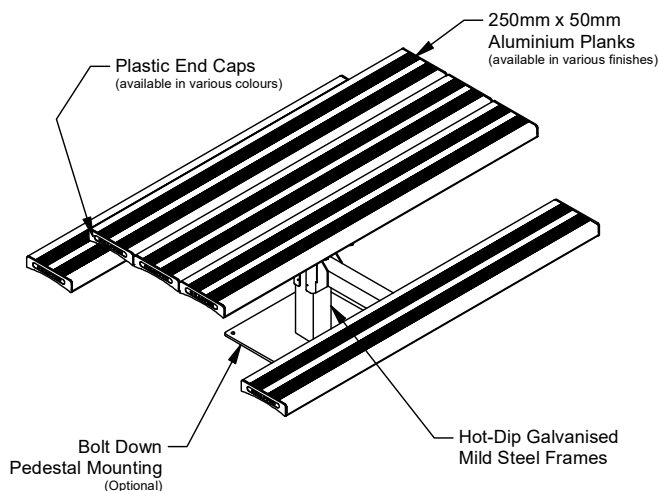
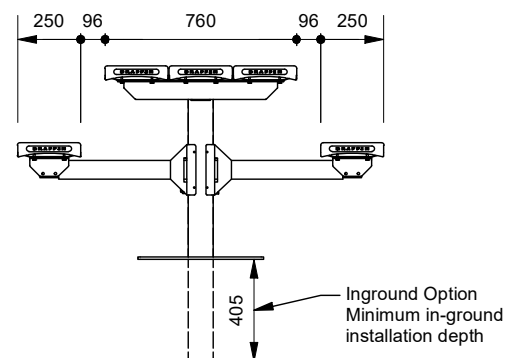
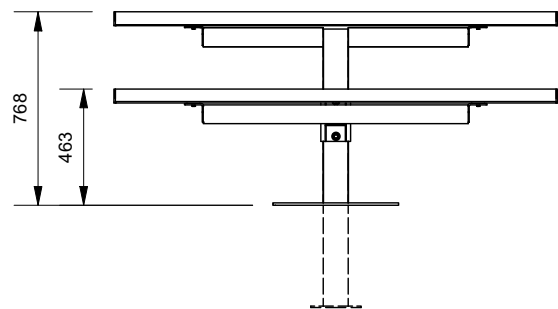
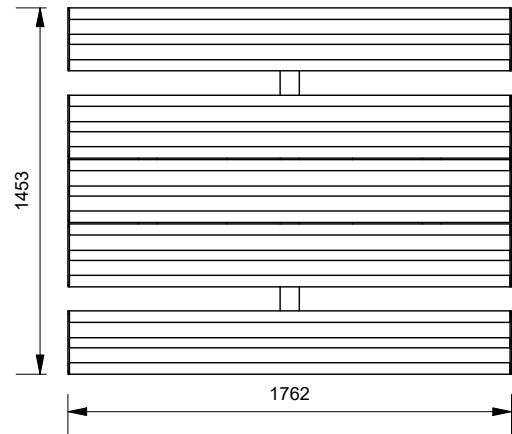
- Bolt Down
- In-Ground

End Cap Colour

- Standard Grey
- Coloured (See End Cap Colour Guide)

Other Options

- Powdercoated Frames (See Colour Guide)
- Chess Board Insert



More information:

Go to the website for spec inspiration.

87916/AL - Heavy Duty Aluminium Picnic Table (long)

<https://draffin.com.au/product/heavy-duty-picnic-table-long-aluminium/>

Batten Guide

<https://draffin.com.au/batten-guide/>

Colour Guide

<https://draffin.com.au/colour-guide/>

End Cap Colour Guide

<https://draffin.com.au/end-cap-colour-guide/>