

Four Sided Recycled Plastic Picnic Table

Model 119/RP - Four Sided Recycled Plastic Picnic Table

DRAFFIN
Street Furniture



The Four Sided Recycled Plastic Picnic Table utilising recycled HDPE plastic, provides a colourful and very economical public picnic table solution, in a extremely heavy-duty package, with a pedestal mounting. Pedestal mounted furniture has one mounting point, making it easy to sweep and mow around. Large timbers and beefy frames ensure reliable performance for the life of the product.

Recycled HDPE Plastic Table and Seat Tops

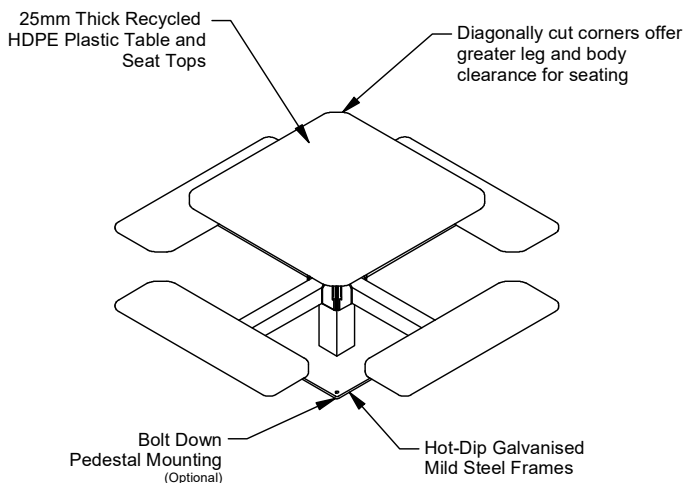
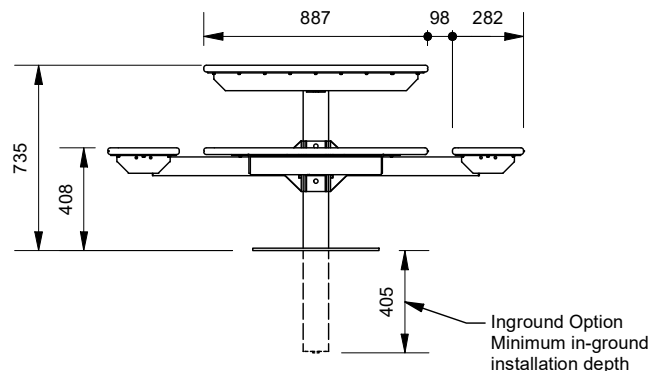
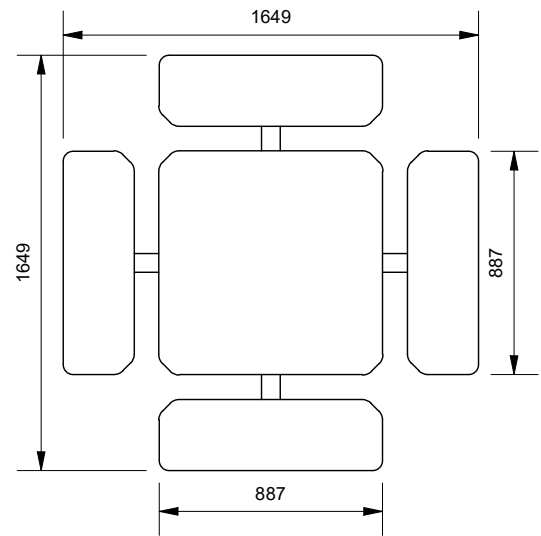
- 10 Colours Available
(See Recycled Plastic Colour Guide)

Mounting Options

- Bolt Down
- In-Ground

Other Options

- Powdercoated Frames (See Colour Guide)
- Chess Board Insert



More information:

Go to the website for spec inspiration.

119/RP - Four Sided Recycled Plastic Picnic Table
<https://draffin.com.au/product/four-sided-recycled-plastic-picnic-table/>

Recycled Plastic Colour Guide

<https://draffin.com.au/recycled-plastic-colour-chart/>

Colour Guide

<https://draffin.com.au/colour-guide/>