

Four Sided Pedestal Picnic Table

Model 119 - Four Sided Pedestal Picnic Table

DRAFFIN
Street Furniture



The Four Sided Pedestal Picnic Table provides a traditional public picnic table function, in an extremely heavy-duty package, with a pedestal mounting. Pedestal mounted furniture has one mounting point, making it easy to sweep and mow around. Large timbers and beefy frames ensure reliable performance for the life of the product.

Batten Options (See Batten Guide)

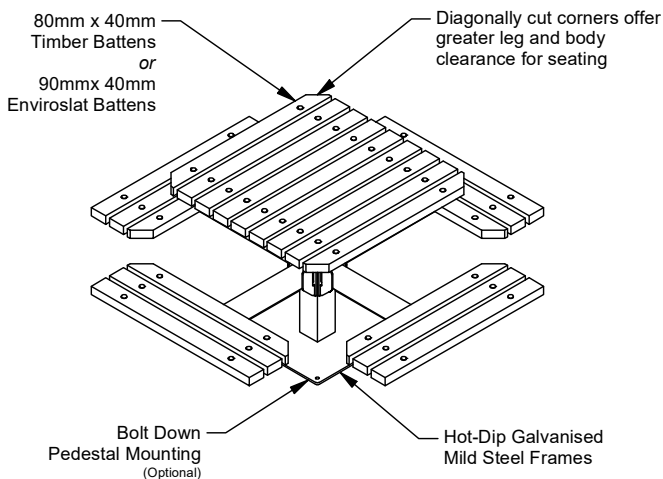
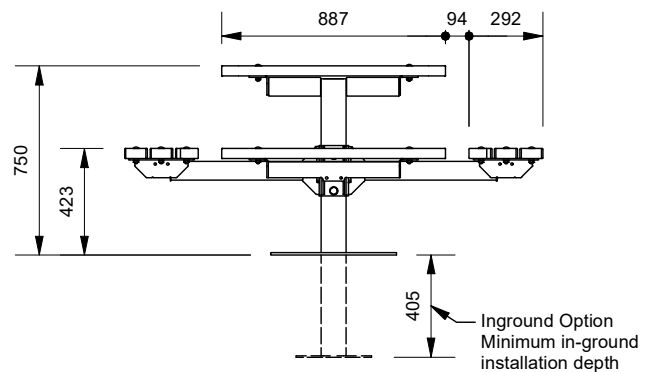
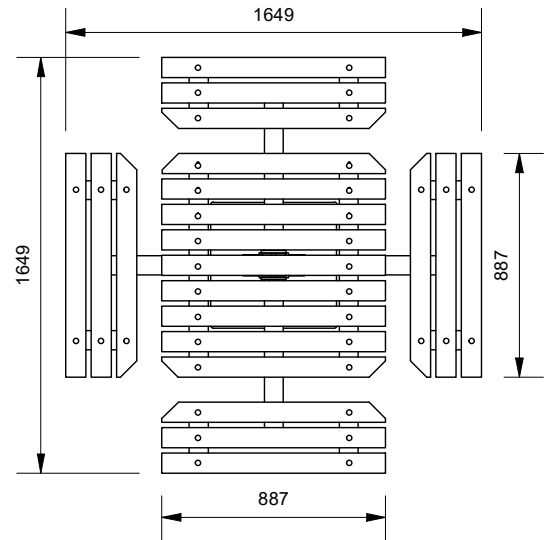
- Spotted Gum Timber Battens 80mm x 40mm
- Enviroslat Composite Battens 90mm x 40mm

Mounting Options

- Bolt Down
- In-Ground

Other Options

- Powdercoated Frames (See Colour Guide)
- Chess Board Insert



More information:

Go to the website for spec inspiration.

119 - Four Sided Pedestal Picnic Table

<https://draffin.com.au/product/four-sided-pedestal-picnic-table/>

Batten Guide

<https://draffin.com.au/batten-guide/>

Colour Guide

<https://draffin.com.au/colour-guide/>