

# Four Sided Aluminium Pedestal Picnic Table

Model 119/AL - Four Sided Aluminium Pedestal Picnic Table

**DRAFFIN**  
Street Furniture



The Four Sided Aluminium Pedestal Picnic Table provides a economical public picnic table solution, in a extremely heavy-duty package, with a pedestal mounting. Pedestal mounted furniture has one mounting point, making it easy to sweep and mow around. Large aluminium planks and beefy frames ensure reliable performance for the life of the product.

## Batten Options (See Batten Guide)

250mm x 50mm Aluminium Planks

- Anodised Aluminium
- Powdercoated
- Timber-Look Aluminium - Alpine Ash
- Timber-Look Aluminium - Mountain Gum
- Timber-Look Aluminium - Ironbark

## Mounting Options

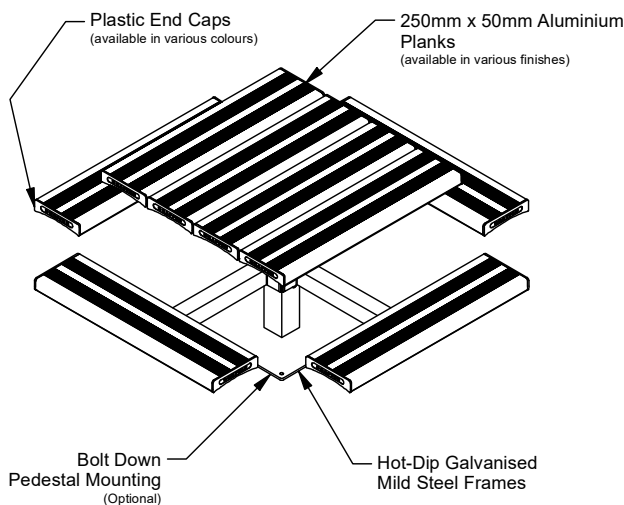
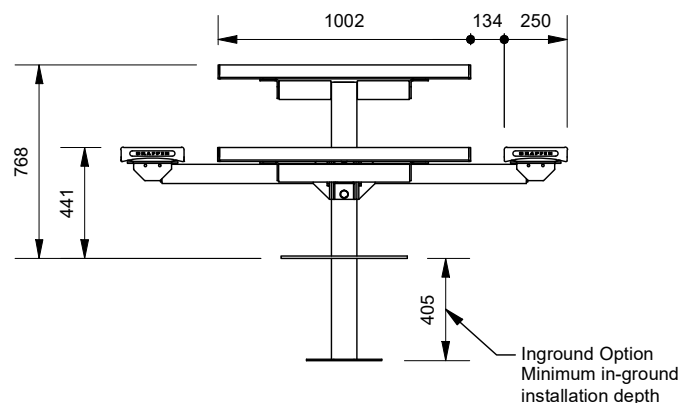
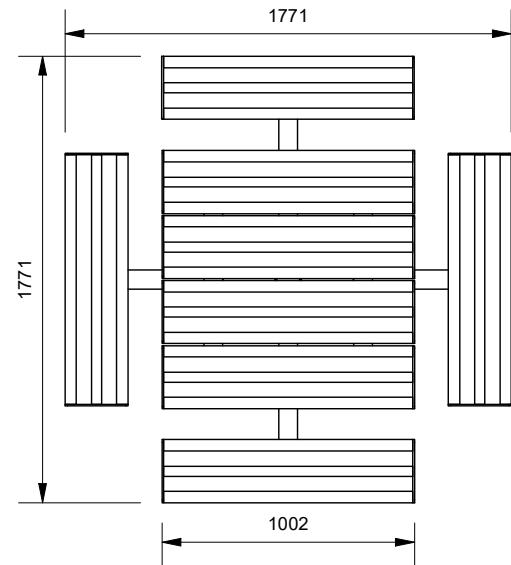
- Bolt Down
- In-Ground

## End Cap Colour

- Standard Grey
- Coloured (See End Cap Colour Guide)

## Other Options

- Powdercoated Frames (See Colour Guide)
- Chess Board Insert



More information:

Go to the website for spec inspiration.

**119/AL** - Four Sided Aluminium Pedestal Picnic Table  
<https://draffin.com.au/product/four-sided-pedestal-picnic-table-aluminium/>

Batten Guide  
<https://draffin.com.au/batten-guide/>

Colour Guide  
<https://draffin.com.au/colour-guide/>

End Cap Colour Guide  
<https://draffin.com.au/end-cap-colour-guide/>