

Dual Station Wheelie Bin Post

Model 88790 - Dual Station Wheelie Bin Post

DRAFFIN
Street Furniture



The Dual Station Wheelie Bin Post accommodates two wheelie bins in a side by side configuration, ideal for double waste capacity or recycling waste separation applications. Standard 8mm Tri-Key security. Draffin Street Furniture have earned the reputation for best in class, dependable wheelie bin security posts, using only the best quality materials and engineering.

Wheelie Bin Size

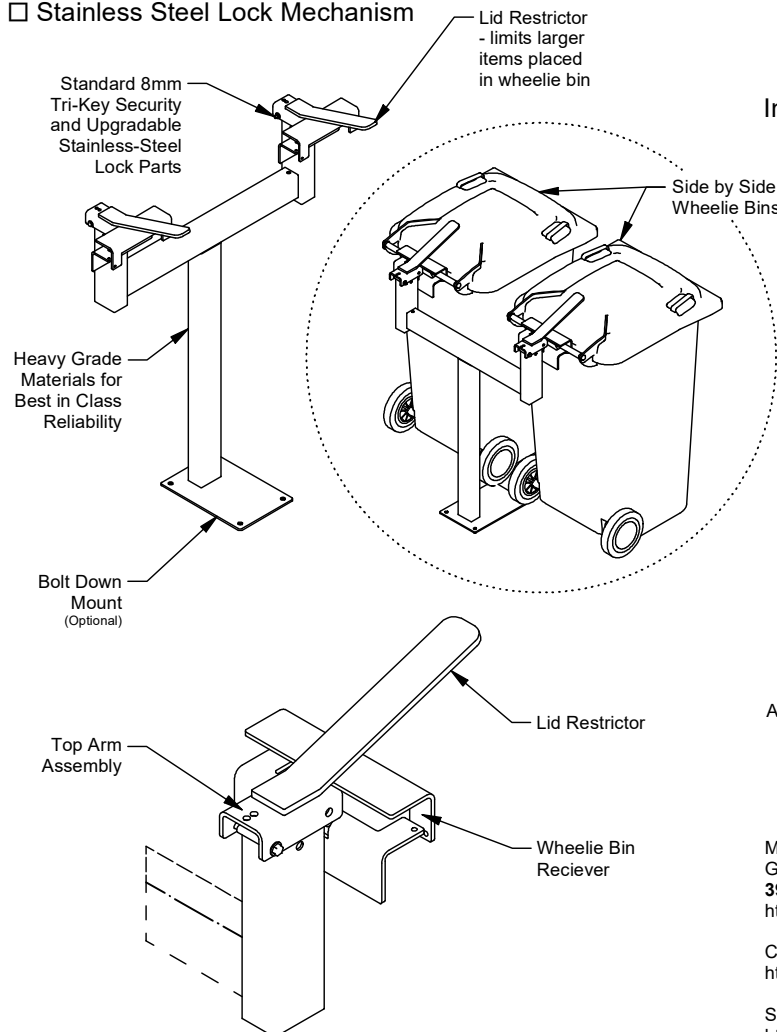
- 120lt
- 240lt

Mounting Options

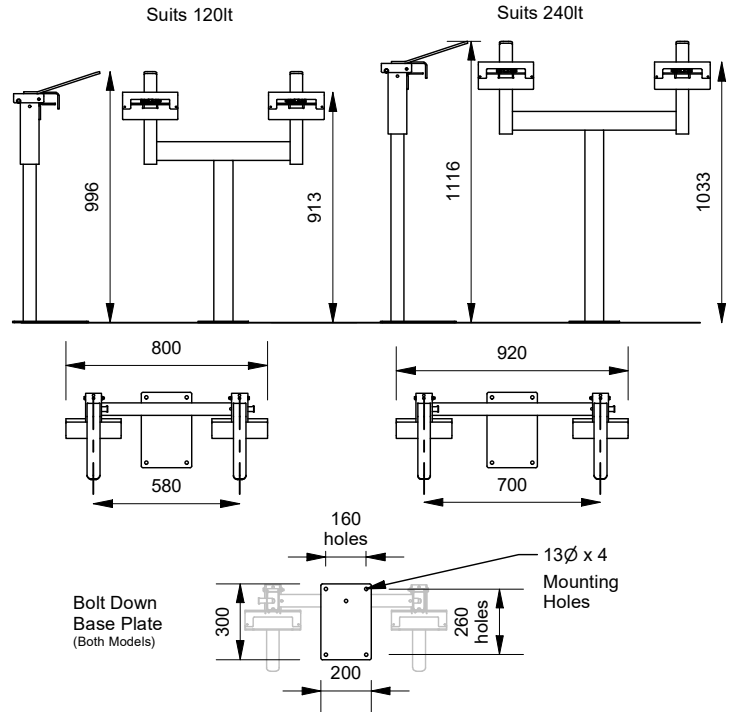
- Bolt Down
- In-Ground

Other Options

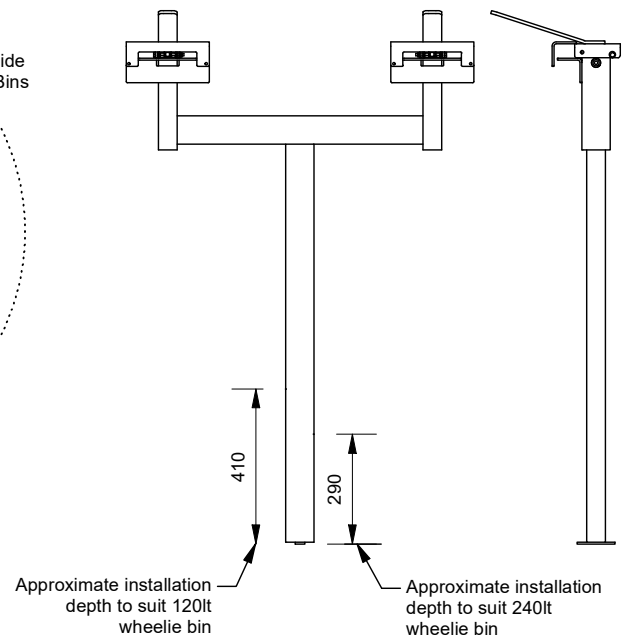
- Powdercoat Frames
- Stainless Steel Lock Mechanism



Bolt Down Models



In-ground Model (Suits 120lt, 140lt and 240lt wheelie bins)



More information:
Go to the website for spec inspiration.
394 - Double Wheelie Bin Post
<https://draffin.com.au/product/double-wheelie-bin-security-system/>

Colour Guide
<https://draffin.com.au/colour-guide/>

Signage Guide
<https://draffin.com.au/signage-guide/>