

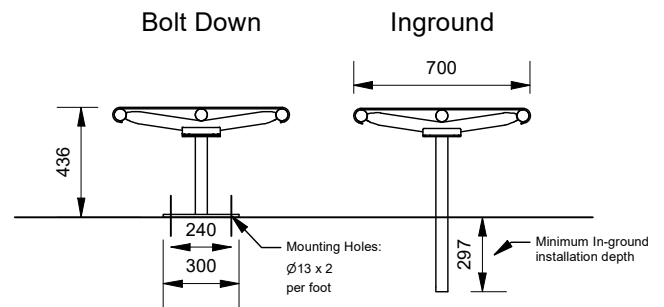
Steel Slatted Bench Seat

88602 - Steel Slatted Bench Seat

DRAFFIN
Street Furniture



The Steel Slatted Bench Seat is a wider bench seat design for simultaneous use either side of the bench. An extreme heavy duty bench solution for the most demanding conditions. The bench can be optioned for bolt-down or inground applications, and is available in a variety of heavy grade materials and finishes.



Frame Options

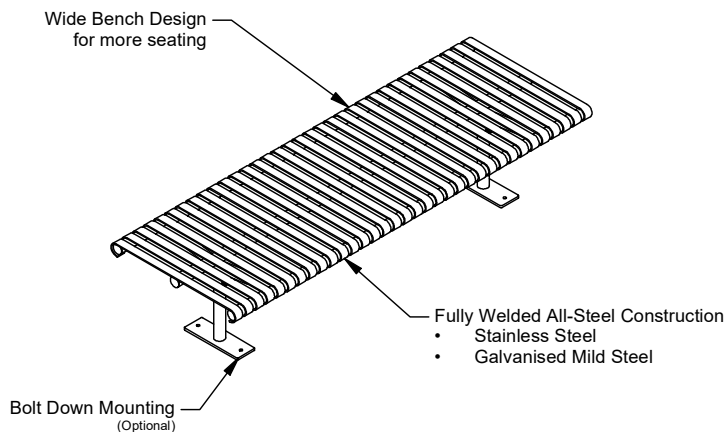
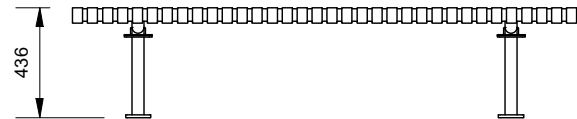
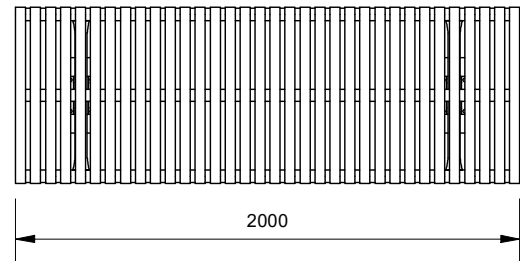
- Galvanised Mild Steel
- 304 Stainless Steel - Brush Finish
- 304 Stainless Steel - Bead Blasted Finish
- 316 Stainless Steel - Brush Finish
- 316 Stainless Steel - Bead Blasted Finish

Mounting Options

- Bolt Down
- Inground
- Ground Tubes

Other Options

- Powdercoat Frames (See Colour Guide)



More information:
Go to the website for spec inspiration.
88602 - Steel Slatted Bench Seat
<https://draffin.com.au/product/bench-seat/>

Colour Guide
<https://draffin.com.au/colour-guide/>

Stainless Steel Guide
<https://draffin.com.au/stainless-steel-guide/>

DDA guide
<https://draffin.com.au/dda>