

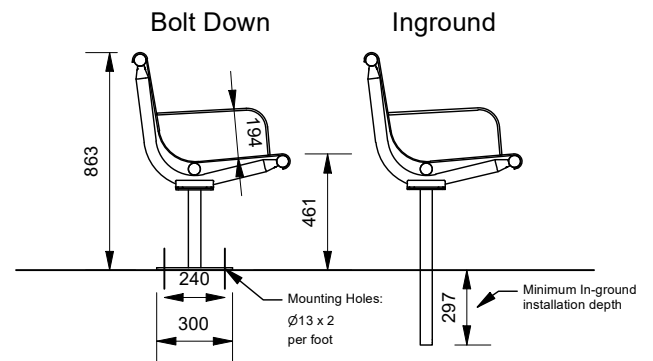
Steel Slatted Seat with Back

88601 - Steel Slatted Seat with Back

DRAFFIN
Street Furniture



The Steel Slatted Seat is built as an extreme heavy duty solution for the most demanding conditions. A classic design that has proven itself as a dependable public seating option for many decades. The seat can be optioned for bolt-down or inground applications, and is available in a variety of heavy grade materials and finishes.



Frame Options

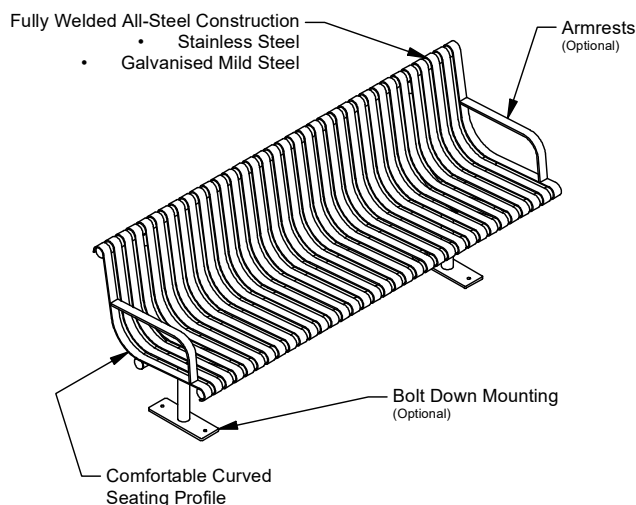
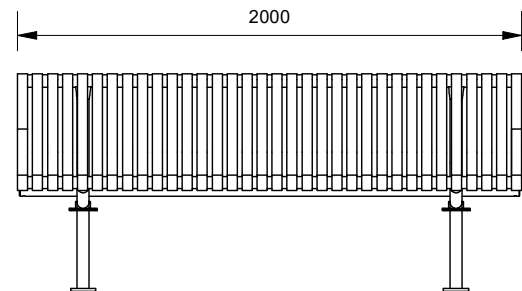
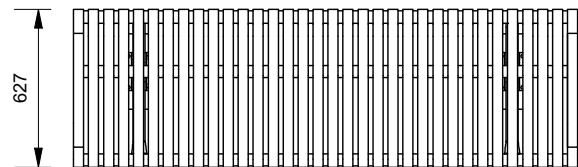
- Galvanised Mild Steel
- 304 Stainless Steel - Brush Finish
- 304 Stainless Steel - Bead Blasted Finish
- 316 Stainless Steel - Brush Finish
- 316 Stainless Steel - Bead Blasted Finish

Mounting Options

- Bolt Down
- Inground
- Ground Tubes

Other Options

- Powdercoated Frames (See Colour Guide)
- Armrests



More information:
Go to the website for spec inspiration.
88601 - Steel Slatted Seat
<https://draffin.com.au/product/economy-steel-slatted-seat/>

Colour Guide
<https://draffin.com.au/colour-guide/>

Stainless Steel Guide
<https://draffin.com.au/stainless-steel-guide/>

DDA guide
<https://draffin.com.au/dda>