

# Curved Slim Steel Slatted Bench

88356 - Curved Slim Steel Slatted Bench Seat

**DRAFFIN**  
Street Furniture



The Curved Slim Steel Slatted Bench is available in two standard sizes. An extremely heavy duty curved bench solution for the most demanding conditions. The bench can be optioned for bolt-down or inground applications, and is available in a variety of heavy grade materials and finishes.

## Bench Size

- 1767mm (87°)
- 1940mm (99°)

## Frame Options

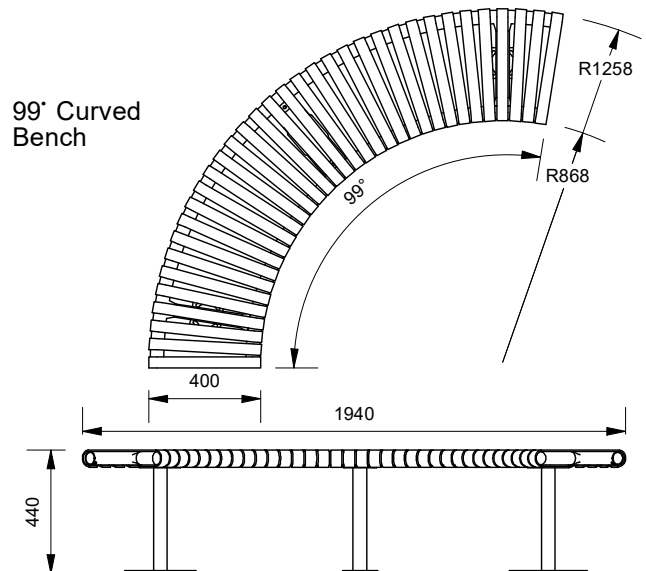
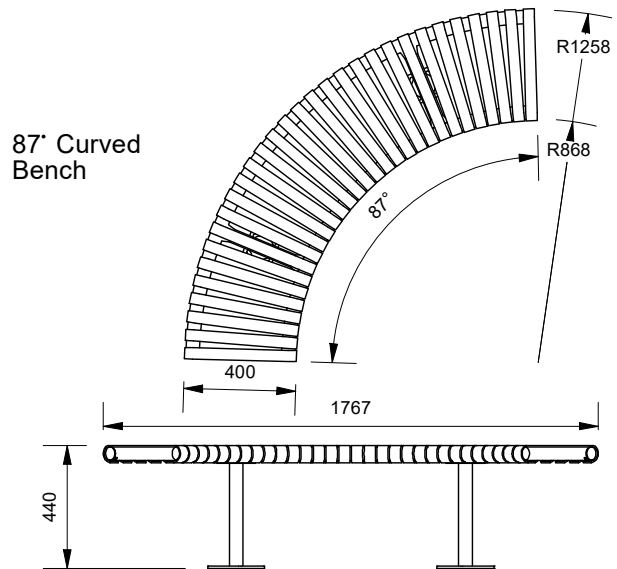
- Galvanised Mild Steel
- 316 Stainless Steel - Brush Finish
- 316 Stainless Steel - Bead Blasted Finish

## Mounting Options

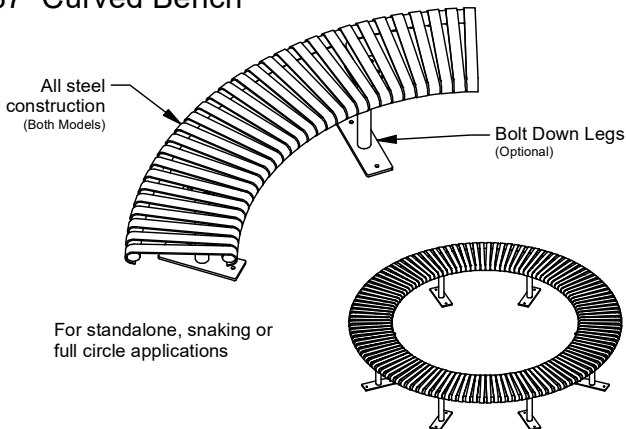
- Bolt Down
- Inground
- Ground Tubes

## Other Options

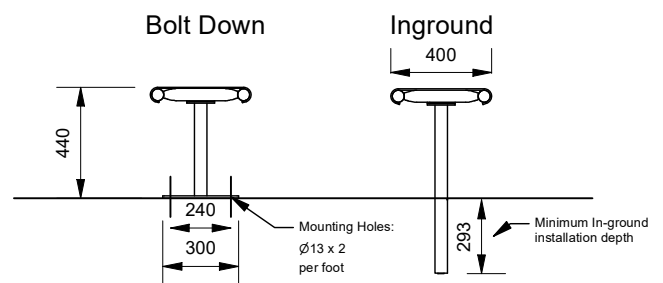
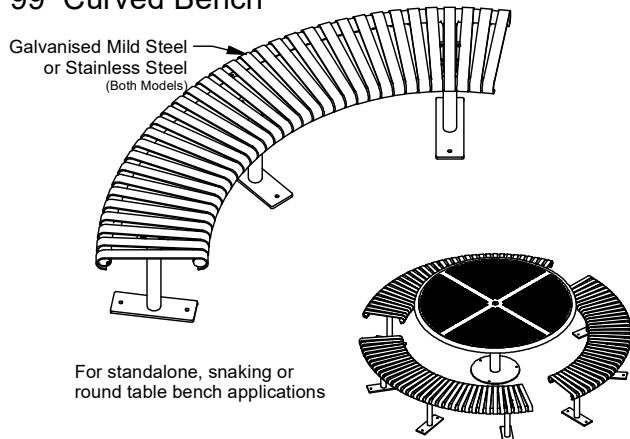
- Powdercoated Frames (See Colour Guide)



## 87° Curved Bench



## 99° Curved Bench



More information:

Go to the website for spec inspiration.

**88356** - Curved Slim Steel Slatted Bench

<https://draffin.com.au/product/curved-slim-steel-slatted-bench/>

Colour Guide

<https://draffin.com.au/colour-guide/>

Stainless Steel Guide

<https://draffin.com.au/stainless-steel-guide/>

DDA guide

<https://draffin.com.au/dda>