

Heavy Duty Chess Table

Model 88274 - Heavy Duty Chess Table

DRAFFIN
Street Furniture



The Heavy Duty Chess Table is built to last with a heavy grade frame, and chunky battens. The chess board is etched onto 316 grade stainless steel ensuring a lasting finish. Pedestal design allows for easy installation, and makes it a breeze to sweep and mow around. The setting can be configured for bolt down or in-ground mounting.

Batten Options (See Batten Guide)

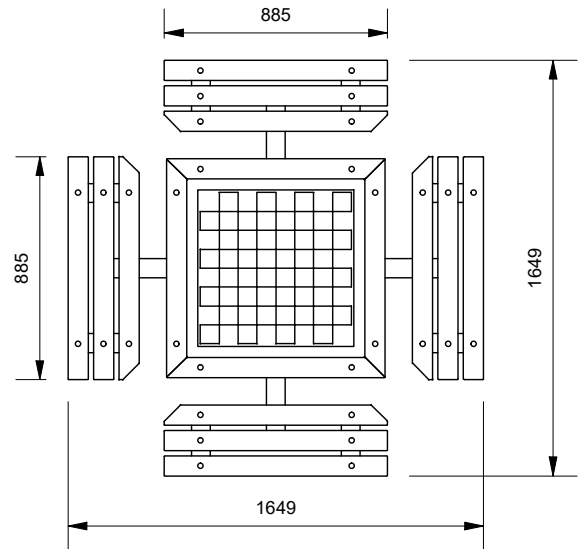
- Spotted Gum Timber 80mm x 40mm
- Enviroslat Composite 90mm x 40mm

Mounting Options

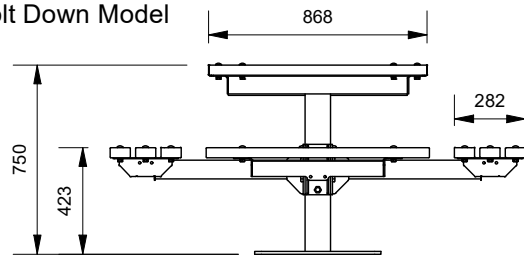
- Bolt Down
- Freestanding

Other Options

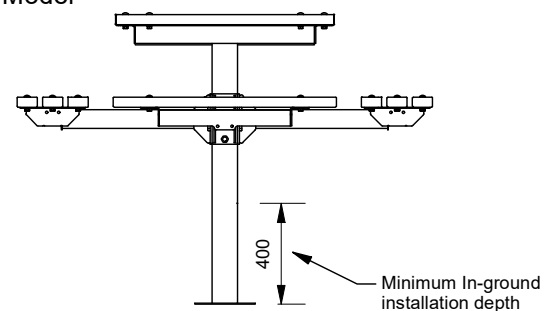
- Powdercoated Frames (See Colour Guide)
- Wheelchair Accessible (1 seat removed)



Bolt Down Model



In-Ground Model



316 Grade Stainless Steel Etched Chess Board

80mm x 40mm Timber Battens or 90mm x 40mm Enviroslat Battens

Hot-Dip Galvanised Mild Steel Frames

Bolt Down Mounting (Optional)

More information:

Go to the website for spec inspiration.

88274 - Heavy Duty Chess Table

<https://draffin.com.au/product/heavy-duty-chess-table/>

Batten Guide

<https://draffin.com.au/batten-guide/>

Colour Guide

<https://draffin.com.au/colour-guide/>