

Double Wheelie Bin Post

Model 394 - Double Wheelie Bin Post

DRAFFIN
Street Furniture



The Double Wheelie Bin Post accommodates two wheelie bins in a back to back configuration, ideal for double waste capacity or recycling waste separation applications. Standard 8mm Tri-Key security. Draffin Street Furniture have earned the reputation for best in class, dependable wheelie bin security posts, using only the best quality materials and engineering.

Wheelie Bin Size

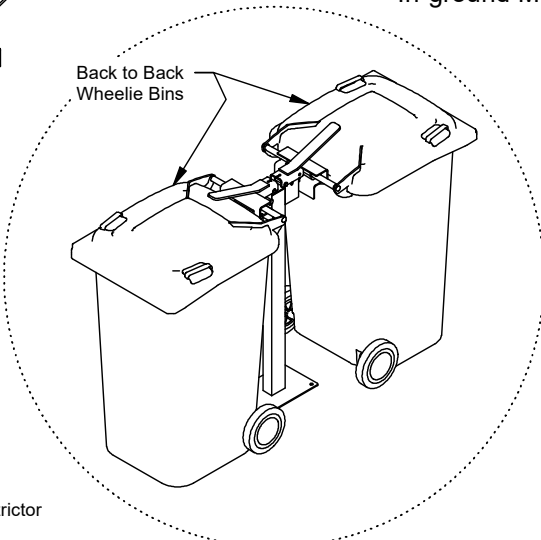
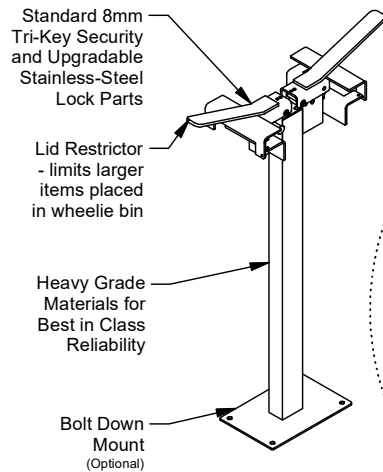
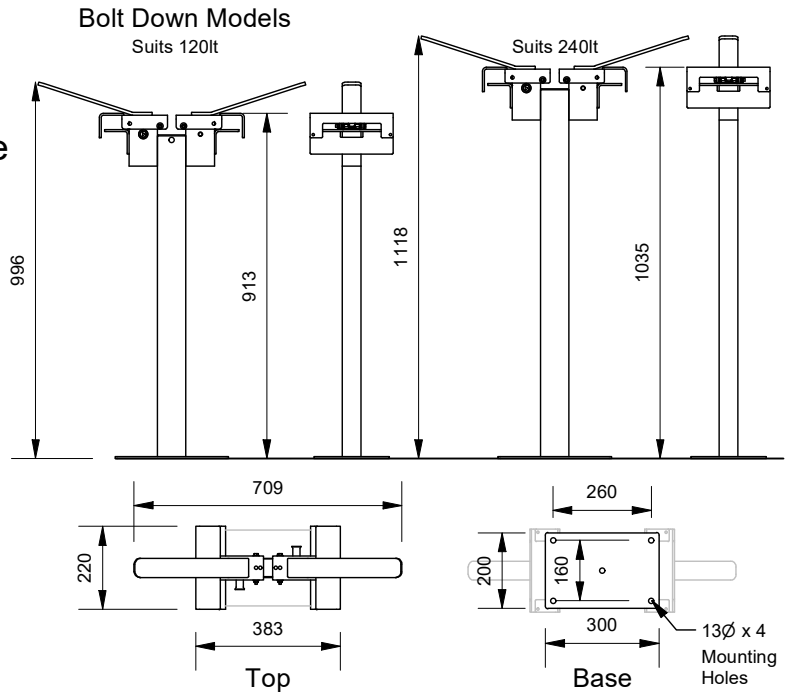
- 120lt
- 240lt

Mounting Options

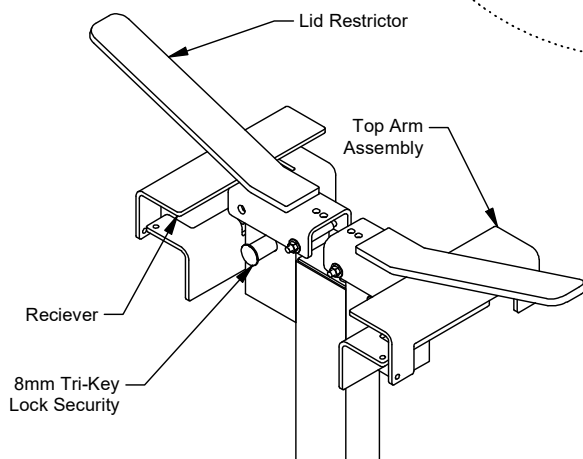
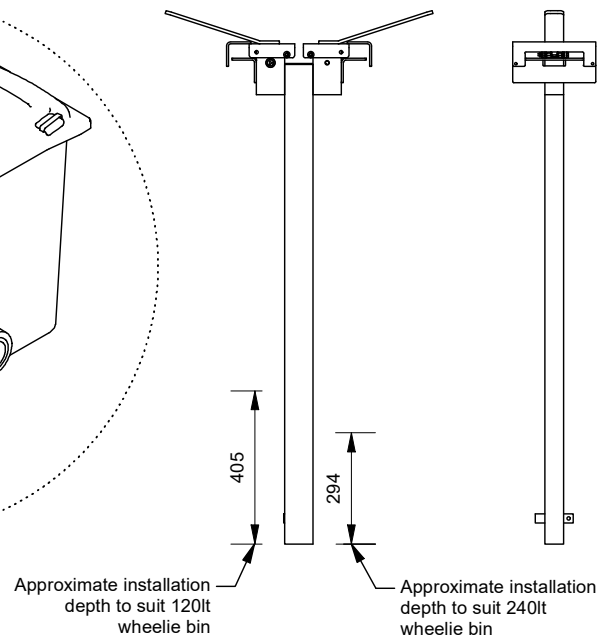
- Bolt Down
- In-Ground

Other Options

- Powdercoat Frames
- Stainless Steel Lock Mechanism



In-ground Model (Suits 120lt, 140lt and 240lt wheelie bins)



More information:
Go to the website for spec inspiration.
394 - Double Wheelie Bin Post
<https://draffin.com.au/product/double-wheelie-bin-security-system/>

Colour Guide
<https://draffin.com.au/colour-guide/>

Signage Guide
<https://draffin.com.au/signage-guide/>