

Knox Seat with Back

Model 120 - Knox Seat with Back

DRAFFIN
Street Furniture



The Knox Seat with Back is a reliable park style seat made with heavy-duty materials. The battens are placed on their side bolstering strength, providing a robust appearance. A modern yet traditional park seat, perfect for placement in parks and remote settings.

Batten Material (See batten guide)

60mmx40mm

- Spotted Gum
- Enviroslat

Frame Material

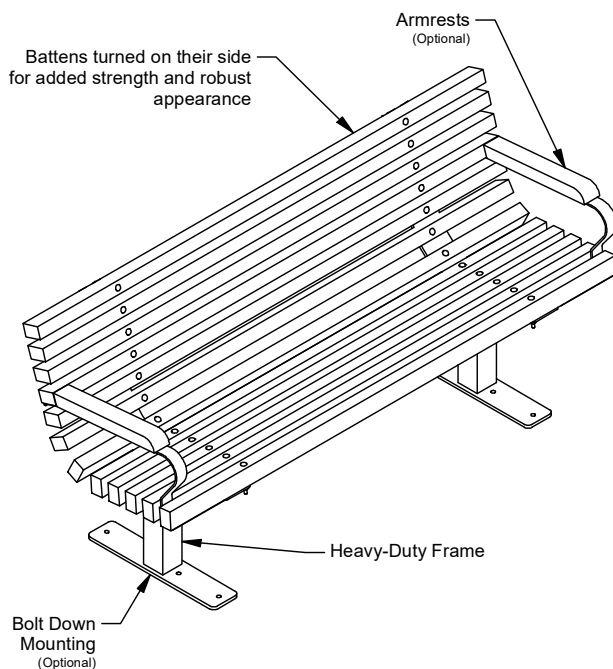
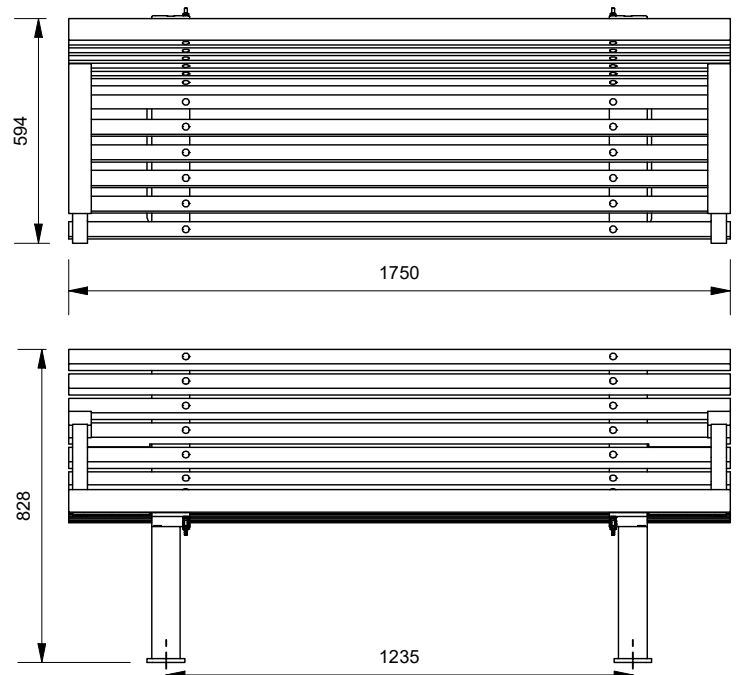
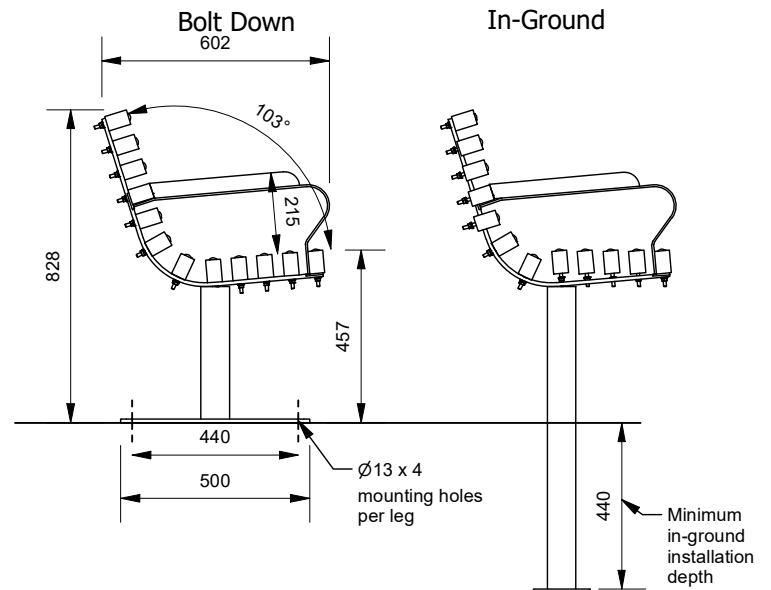
- Galvanised Mild Steel
- Brush Finish 304 Stainless Steel
- Bead Blasted 304 Stainless Steel

Mounting Options

- Bolt Down
- Inground

Other Options

- Powdercoat Frames (See colour guide)
- Armrests
- Custom Dimensions



More information:

Go to the website for spec inspiration.

120 - Knox Seat with Back

<https://draffin.com.au/product/knox-park-seat/>

Batten Guide

<https://draffin.com.au/batten-guide/>

Colour

<https://draffin.com.au/colour-guide/>

Stainless Steel Guide

<https://draffin.com.au/stainless-steel-guide/>

DDA guide

<https://draffin.com.au/dda/>