

Fawkner Straight Bench

Model 88628/ST - Fawkner Straight Bench

DRAFFIN
Street Furniture



The Fawkner Straight Bench compliments the Fawkner Curved Benches. Used together with the curved benches they can form winding or snaking profiles, or simply used in standalone applications. There is three mounting options available for all Fawkner models.

Bench Length

- 1970mm
- Custom Size

Batten Material (See Batten Guide)

110mm x 30mm

- Spotted Gum
- Enviroslat
- HDPE Recycled Plastic (See Recycled Plastic Colour Chart)

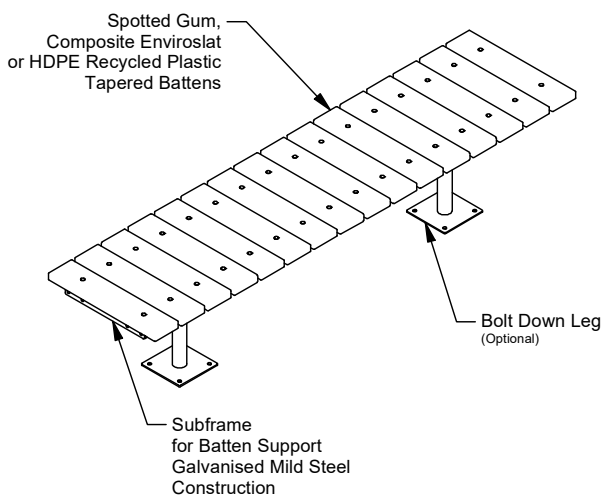
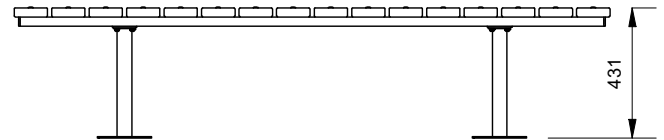
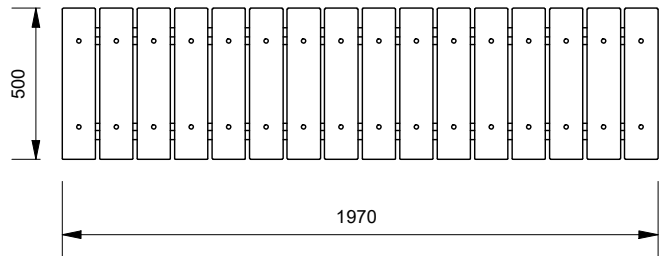
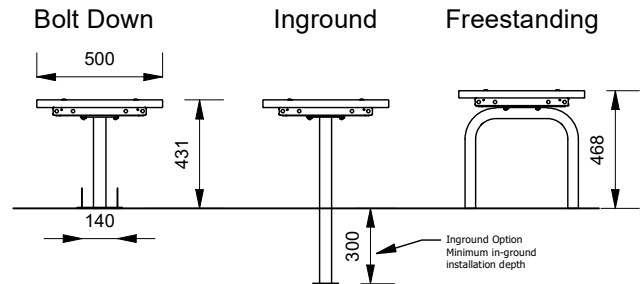
Mounting Options

- Bolt Down
- Inground
- Freestanding

Other Options

- Powdercoat Frames (See Colour Chart)

End Profile



More information:
Go to the website for spec inspiration.

88628/ST - Fawkner Straight Bench

<https://draffin.com.au/product/fawkner-straight-timber-bench-seat/>

Batten Guide

<https://draffin.com.au/batten-guide/>

Colour and Plinth Guide

<https://draffin.com.au/colour-guide/>

Recycled Plastic Colour Chart

<https://draffin.com.au/recycled-plastic-colour-chart/>