

Fawkner Curved Bench

Model 88628 - Fawkner Curved Bench

DRAFFIN
Street Furniture



The Fawkner Curved Bench comes in two standard sizes. The seat curve is formed with tapered battens providing parallel gaps for comfortable seating and a uniform appearance. Placed end to end they can form circular or snaking profiles.

Curved Bench Size (Point to Point)

- 2090mm
- 2500mm
- Custom Size

Batten Material (See Batten Guide)

110mm (Tapered) x 30mm

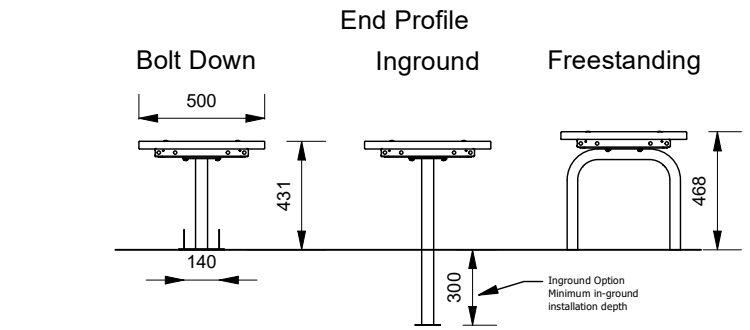
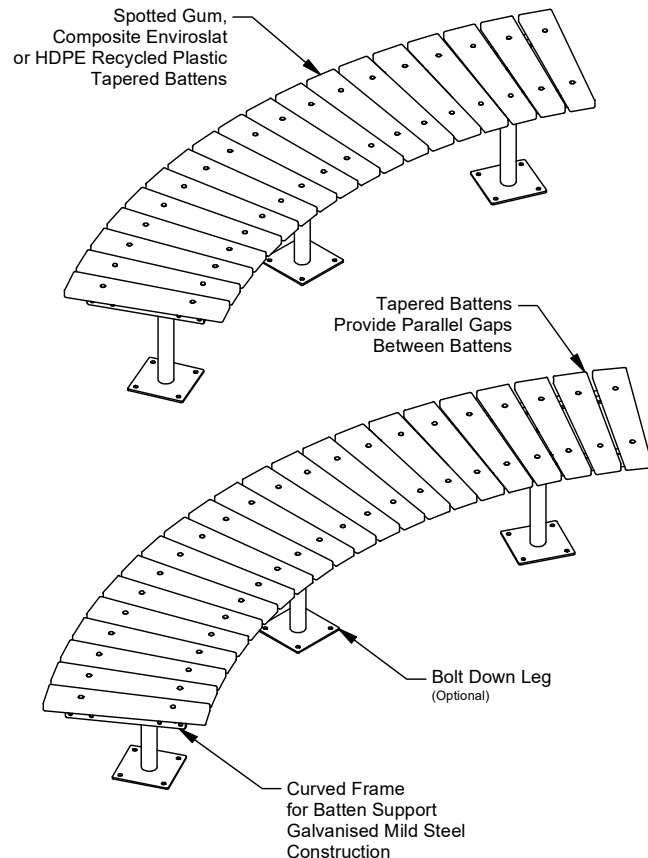
- Spotted Gum
- Enviroslat
- HDPE Recycled Plastic (See Recycled Plastic Colour Chart)

Mounting Options

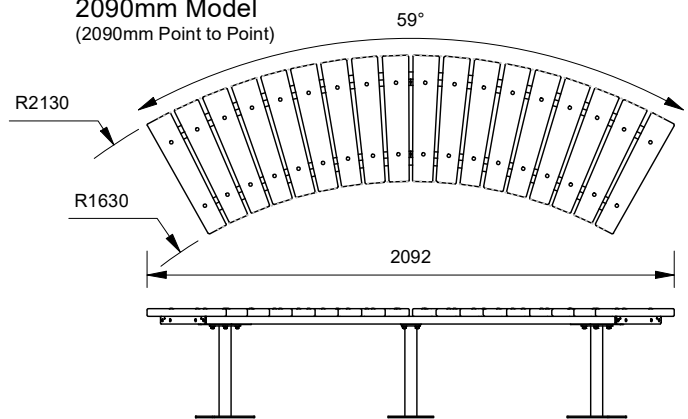
- Bolt Down
- Inground
- Freestanding

Other Options

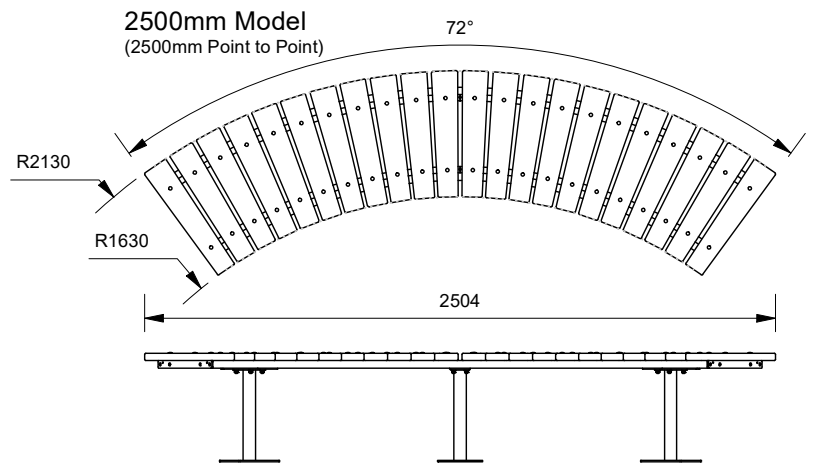
- Powdercoat Frames (See Colour Chart)



2090mm Model
(2090mm Point to Point)



2500mm Model
(2500mm Point to Point)



More information:
Go to the website for spec inspiration.

88628 - Fawkner Curved Bench (Timber and Enviroslat Models)
<https://draffin.com.au/product/fawkner-curved-timber-bench-seat/>

88628/RP - Fawkner Recycled Plastic Curved Bench
<https://draffin.com.au/product/fawkner-curved-recycled-plastic-bench-seat/>

Batten Guide
<https://draffin.com.au/batten-guide/>

Colour and Plinth Guide
<https://draffin.com.au/colour-guide/>

Recycled Plastic Colour Chart
<https://draffin.com.au/recycled-plastic-colour-chart/>