

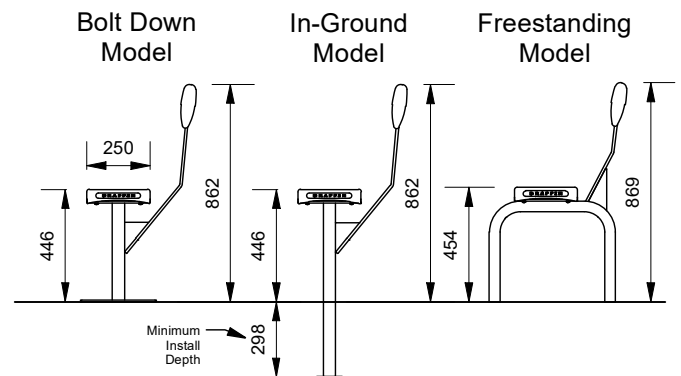
# Aluminium Seat with Back

Model 88347/AL - Aluminium Seat with Back

**DRAFFIN**  
Street Furniture



The Aluminium Seat with Back is a dependable and economical solution ready to install in any space where seating is needed. Parks, sportsgrounds, street curbs, and school grounds, you can be sure this bench is built to endure public use. Explore finish options for the frames and aluminium planks, and a range of coloured plank end caps.



## Plank Finishes

- Anodised Aluminium
- Powdercoated
- Timber-Look Aluminium - Alpine Ash
- Timber-Look Aluminium - Mountain Gum
- Timber-Look Aluminium - Ironbark

## Length Options

- 1750mm
- 3000mm
- 4000mm
- 5000mm
- 6000mm
- Custom

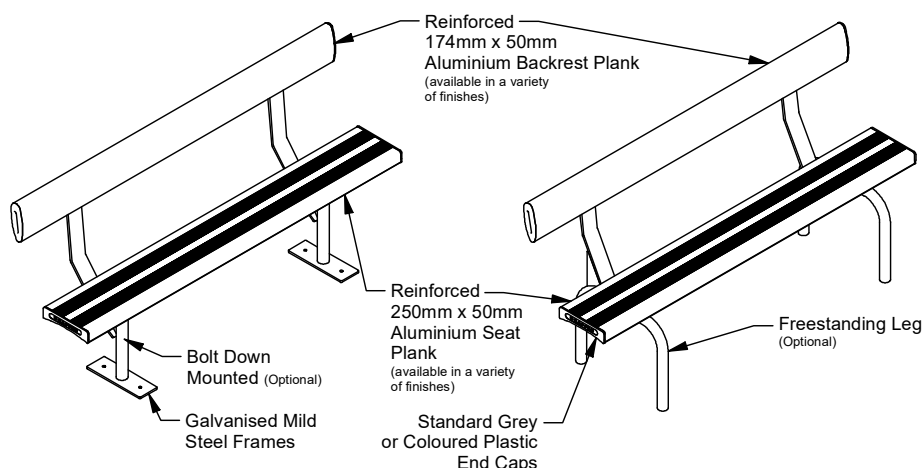
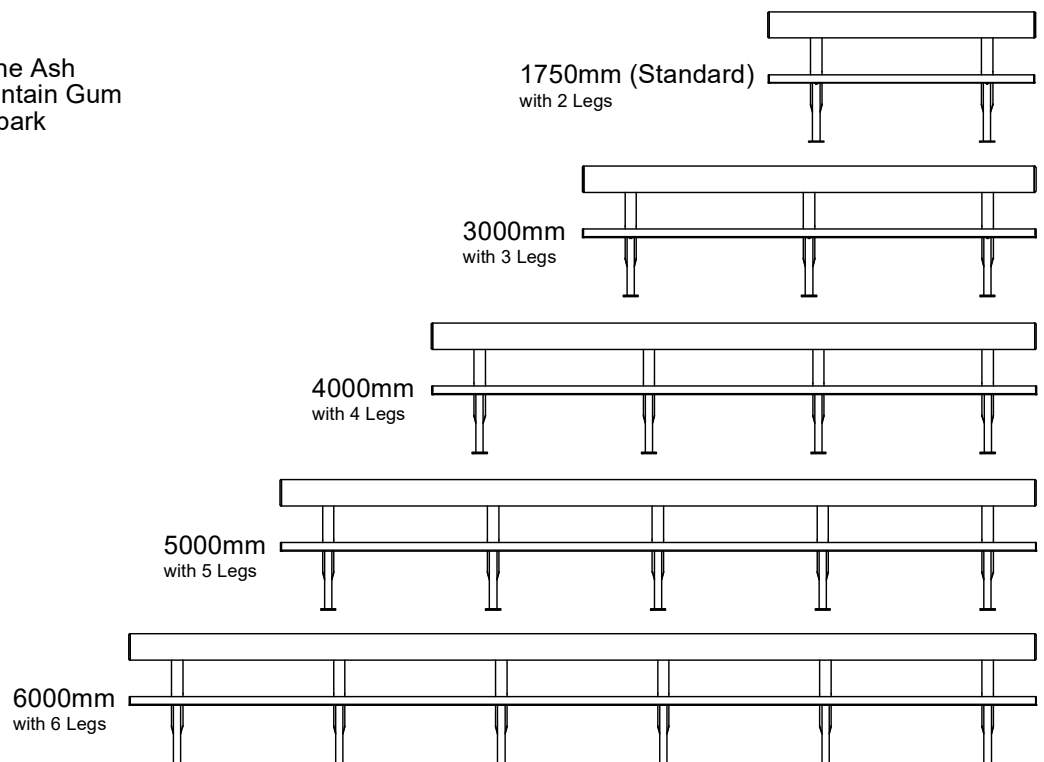
## Mounting Options

- Bolt Down
- In-ground
- Freestanding

## Other Options

- Powdercoat Frames
- Coloured End Caps

## Standard Lengths



More information:  
Go to the website for spec inspiration.  
**88347/AL - Aluminium Seat with Back**  
<https://draffin.com.au/product/aluminium-seat-with-back/>

Powdercoat Colour Guide  
<https://draffin.com.au/colour-guide/>

Plank Colour Guide (Use Batten Guide)  
<https://draffin.com.au/batten-guide/>