

Magnum Picnic Table

Model 136/SQR/MAGNUM - Magnum Picnic Table

DRAFFIN
Street Furniture



The Large Magnum Picnic Table is a 12 seater picnic table setting with 110mm x 30mm battens that are available in a range of materials. Hot-dip galvanised mild steel frames, with side benches that cleverly brace the structure, forming a classic heavy-duty picnic setting that can be used for freestanding or bolt-down applications.

Batten Options (See Batten Guide)

Battens 110mm x 30mm

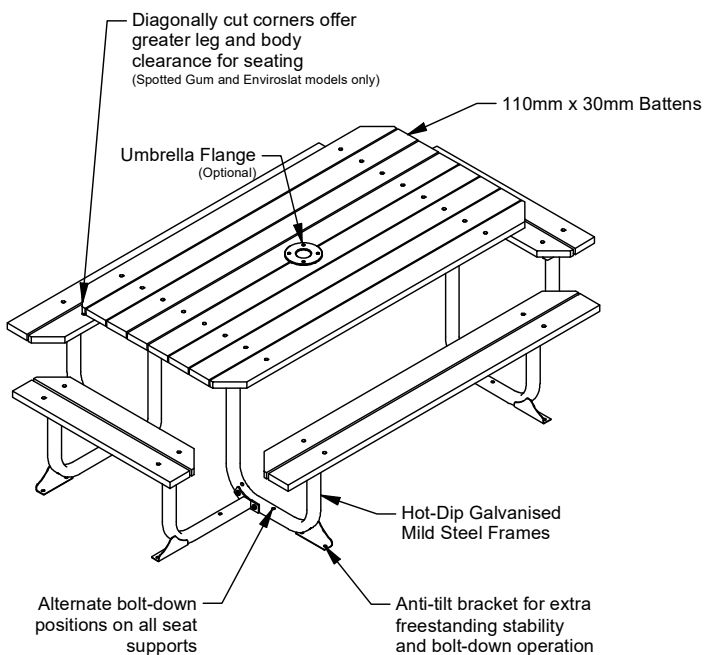
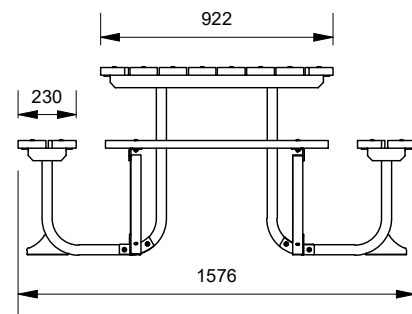
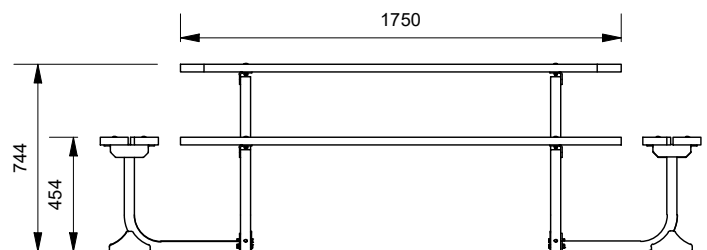
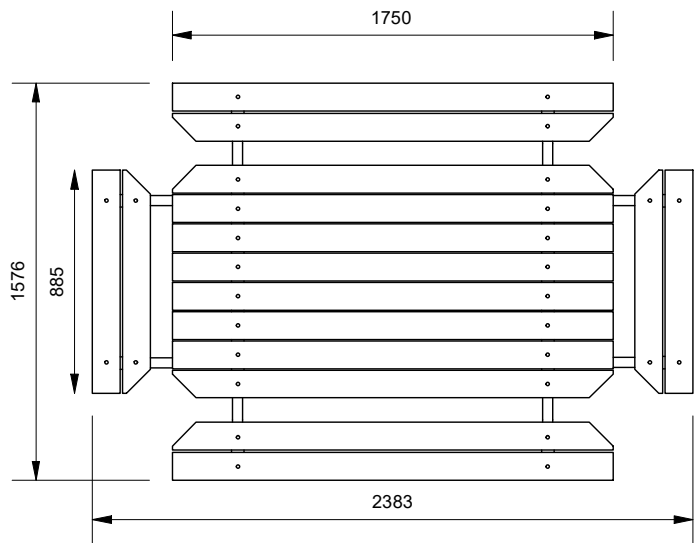
- Spotted Gum Timber
- Enviroslat Composite
- Anodised Aluminium
- Powdercoated Aluminium
- Timber-Look Aluminium - Mountain Gum
- Timber-Look Aluminium - Alpine Ash
- Timber-Look Aluminium - Ironbark

Mounting Options

- Bolt Down
- Freestanding
- In-Ground Anchors

Other Options

- Powdercoated Frames (See Colour Guide)
- Chess Board Insert
- Umbrella Flange



More information:

Go to the website for spec inspiration.

136/SQR/MAGNUM - Large Magnum Picnic Table
<https://draffin.com.au/product/large-picnic-table/>

Batten Guide

<https://draffin.com.au/batten-guide/>

Colour Guide

<https://draffin.com.au/colour-guide/>