

# Magnum Picnic Table

Model 136/SQR/MAGNUM - Magnum Picnic Table

**DRAFFIN**  
Street Furniture



The Large Magnum Picnic Table is an 8 seater picnic table setting with 110mm x 30mm battens that are available in a range of materials. Hot-dip galvanised mild steel frames, with side benches that cleverly brace the structure, forming a classic heavy-duty picnic setting that can be used for freestanding or bolt-down applications.

## Batten Options (See Batten Guide)

Battens 110mm x 30mm

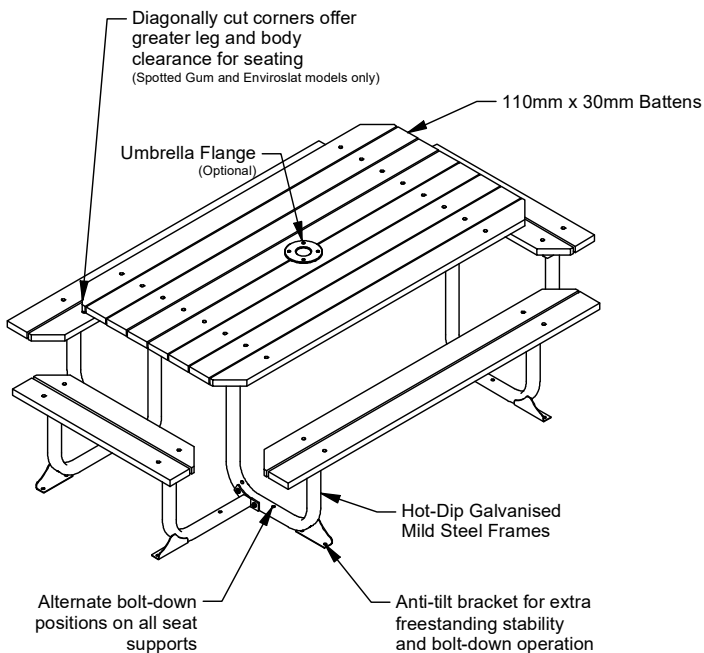
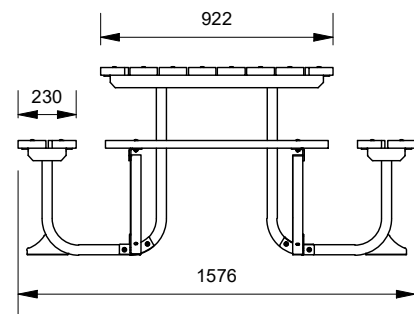
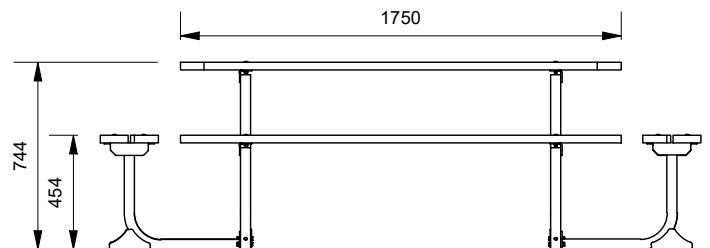
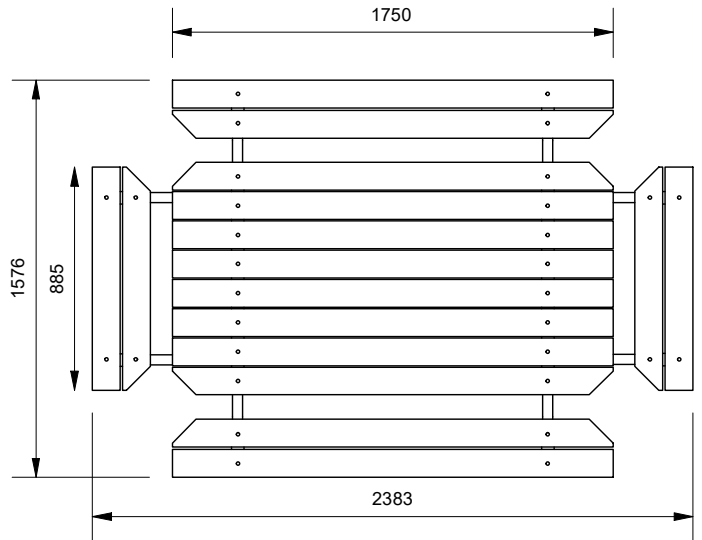
- Spotted Gum Timber
- Enviroslat Composite
- Anodised Aluminium
- Powdercoated Aluminium
- Timber-Look Aluminium - Mountain Gum
- Timber-Look Aluminium - Alpine Ash
- Timber-Look Aluminium - Ironbark

## Mounting Options

- Bolt Down
- Freestanding
- In-Ground Anchors

## Other Options

- Powdercoated Frames (See Colour Guide)
- Chess Board Insert
- Umbrella Flange



More information:

Go to the website for spec inspiration.

**136/SQR/MAGNUM** - Large Magnum Picnic Table  
<https://draffin.com.au/product/large-picnic-table/>

Batten Guide

<https://draffin.com.au/batten-guide/>

Colour Guide

<https://draffin.com.au/colour-guide/>