

Hobart Table

89112 - Hobart Table

DRAFFIN
Street Furniture



The Hobart Table has a fully welded frame for high strength, made from 6mm mild or weathered steel. The battens are inset into the frame to protect them. This modern table design is ideal for park and reserve picnic areas in both metropolitan and regional settings.

Batten Material (See batten guide)

40mm x 30mm Top, 60mm x 30mm Side

- Spotted Gum
- Anodised Aluminium
- Powdercoated Aluminium (See colour guide)
- Timber-Look Aluminium - Alpine Ash
- Timber-Look Aluminium - Mountain Gum
- Timber-Look Aluminium - Ironbark
- Enviroslat

Frame Material

- Galvanised Mild Steel
- Powdercoated
- Weathered Steel

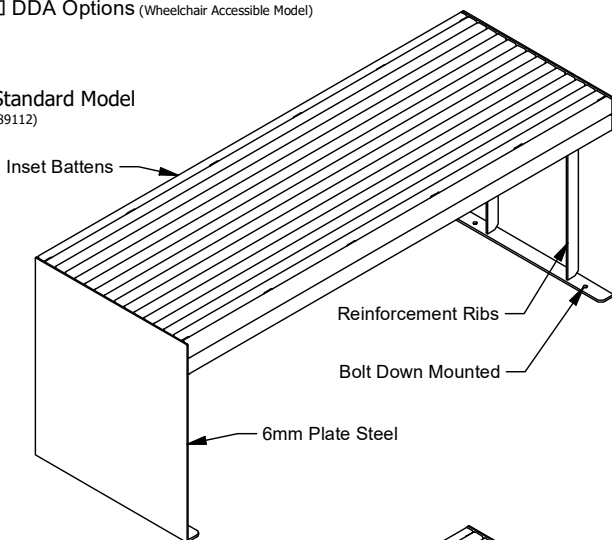
Mounting Options

- Bolt Down

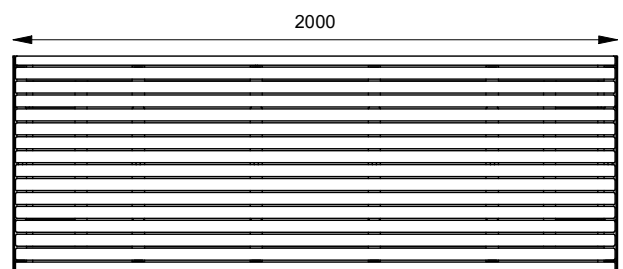
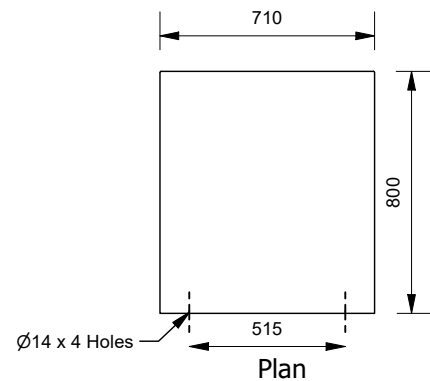
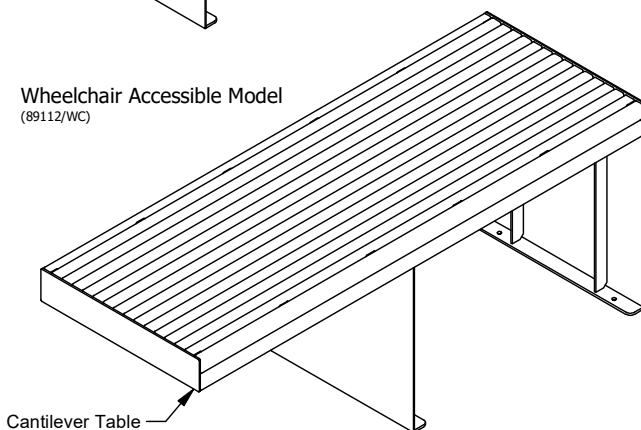
Other Options

- Chess Board Insert
- DDA Options (Wheelchair Accessible Model)

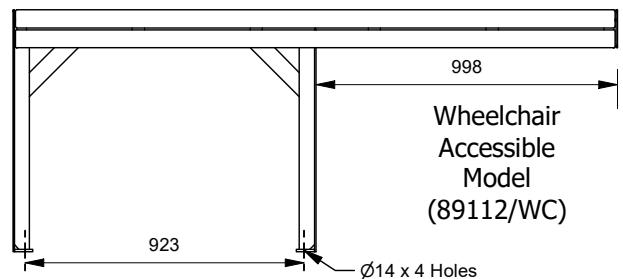
Standard Model (89112)



Wheelchair Accessible Model (89112/WC)



Front View



More information:

Go to the website for spec inspiration.

89112 - Hobart Table

<https://draffin.com.au/product/hobart-table-setting/>

Batten Guide

<https://draffin.com.au/batten-guide/>

Colour and Plinth Guide

<https://draffin.com.au/colour-guide/>

Weathering Steel Guide

<https://draffin.com.au/weathering-steel-guide/>

DDA guide

<https://draffin.com.au/dda/>

Hobart Table

89112 - Hobart Table



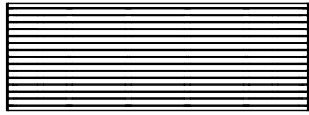
Suggested Configurations

Standard Setting

89111/1500 -
1500mm long



89112 -
2000mm long



Benches can be installed
100mm or closer for
1500mm bench setting



89111/1500 -
1500mm long



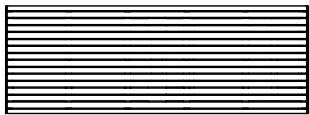
1500

Wheelchair Accessible Setting

89111/1500 -
1500mm long



89112/WC -
2000mm long

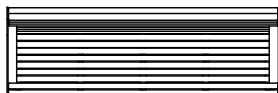


89111/600 -
600mm long



Hobart Table with Hobart Seats

89110 - Seat
1800mm long



89112 -
2000mm long



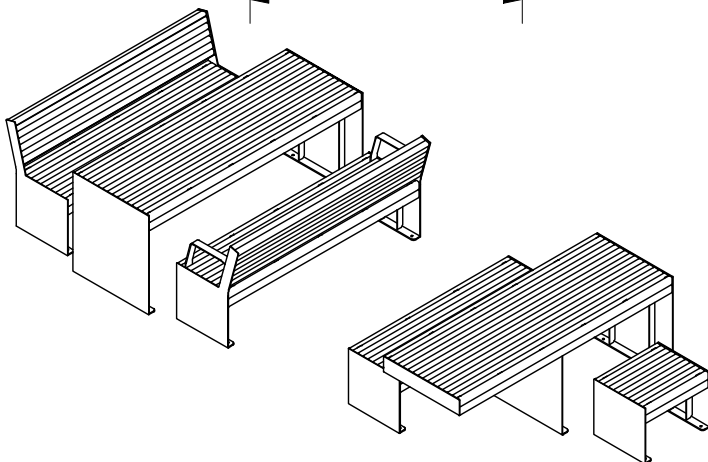
89110 - Seat
1800mm long



1800



Recommend at least
150mm space for
1800mm bench setting



Standard Setting - Plan

