

# Hobart Bench Seat

89111 - Hobart Bench Seat

**■ DRAFFIN ■**  
Street Furniture



The Hobart Bench Seat is an ideal bench option for inner city through to remote installations. A heavy-duty fully welded frame made from 6mm thick mild or weathered steel for rock solid dependability. The latest generation Hobart series furniture can be specified with Draffin Street Furniture's full batten array.

## Batten Material (See batten guide)

40mm x 30mm Top, 60mm x 30mm Side

- Spotted Gum
- Enviroslat
- Anodised Aluminium
- Powdercoated Aluminium (See colour guide)
- Timber-Look Aluminium - Alpine Ash
- Timber-Look Aluminium - Mountain Gum
- Timber-Look Aluminium - Ironbark

## Length Options

- 1500mm
- 1800mm
- Custom

## Frame Material

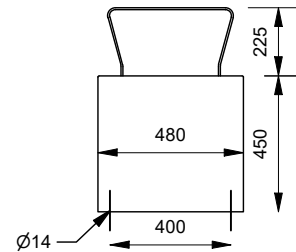
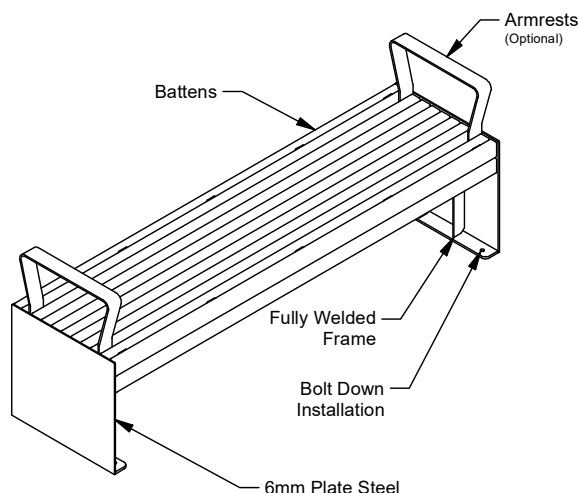
- Galvanised Mild Steel
- Powdercoated
- Weathered Steel

## Mounting Options

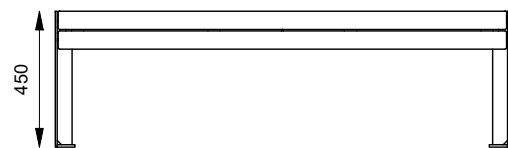
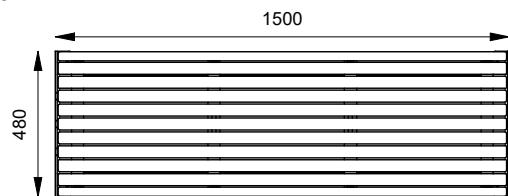
- Bolt Down

## Armrest Options (Optional)

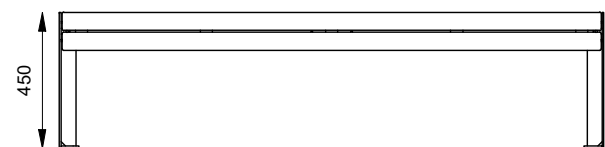
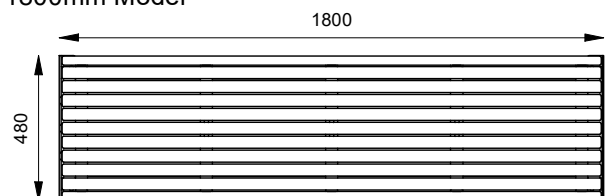
- Powdercoated Armrests
- Stainless Steel Armrests



## 1500mm Model



## 1800mm Model



## More information:

Go to the website for spec inspiration.

**89111** - Hobart Bench Seat

<https://draffin.com.au/product/hobart-bench-seat/>

## Batten Guide

<https://draffin.com.au/batten-guide/>

## Colour and Plinth Guide

<https://draffin.com.au/colour-guide/>

## Stainless Steel Guide

<https://draffin.com.au/stainless-steel-guide/>

## Weathering Steel Guide

<https://draffin.com.au/weathering-steel-guide/>

## DDA guide

<https://draffin.com.au/dda/>