

Hobart Seat with Back

89110 - Hobart Seat with Back

DRAFFIN
Street Furniture



The Hobart seat with back has a contemporary urban aesthetic that suits inner city to remote installations. A heavy-duty fully welded frame made from 6mm mild or weathered steel for rock solid dependability. The latest generation Hobart series furniture can be specified with Draffin Street Furniture's full batten array.

Batten Material (See batten guide)

40mm x 30mm Top, 60mm x 30mm Side

- Spotted Gum
- Enviroslat
- Anodised Aluminium
- Powdercoated Aluminium (See colour guide)
- Timber-Look Aluminium - Alpine Ash
- Timber-Look Aluminium - Mountain Gum
- Timber-Look Aluminium - Ironbark

Frame Material

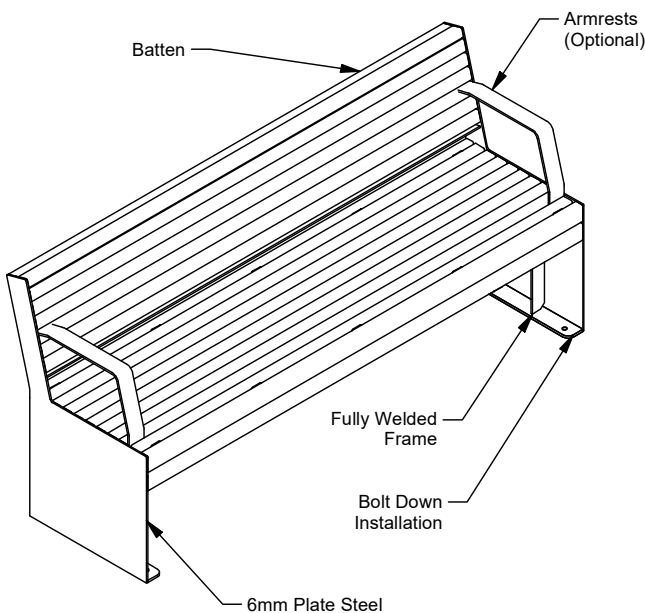
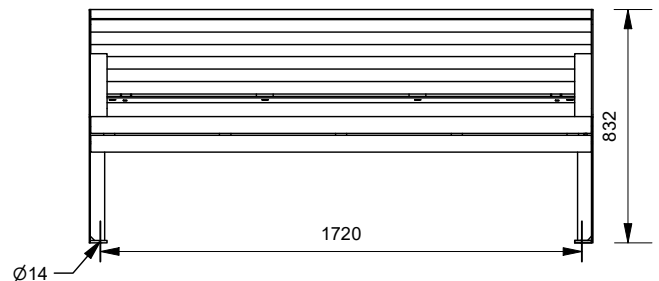
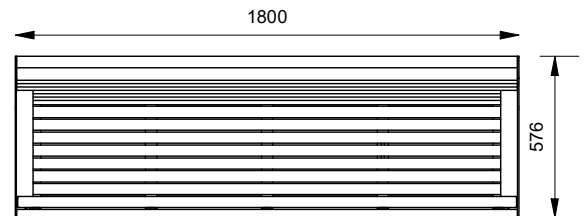
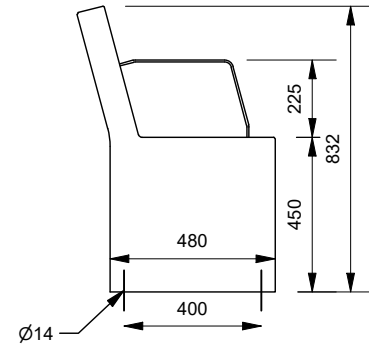
- Galvanised Mild Steel
- Powdercoated
- Weathered Steel

Mounting Options

- Bolt Down

Armrest Options (Optional)

- Powdercoated Armrests
- Stainless Steel



More information:
Go to the website for spec inspiration.
89110 - Hobart Seat with Back
<https://draffin.com.au/product/hobart-seat-with-back/>

Batten Guide
<https://draffin.com.au/batten-guide/>

Colour and Plinth Guide
<https://draffin.com.au/colour-guide/>

Stainless Steel Guide
<https://draffin.com.au/stainless-steel-guide/>

Weathering Steel Guide
<https://draffin.com.au/weathering-steel-guide/>

DDA guide
<https://draffin.com.au/dda/>