

# Brisbane Seat with Back

88756 - Brisbane Seat with Back

**DRAFFIN**  
Street Furniture



The Brisbane Seat with Back has fully welded seat and backrest subframes that fully support inset battens for extra strength and protection. Stainless steel construction with specially designed C channel leg that bolsters strength and aesthetics. The Brisbane suite has style and strength built in.

#### Batten Material (See batten guide)

65mm x 19mm

- Spotted Gum
- Enviroslat Composite
- Anodised Aluminium
- Powdercoated Aluminium (See colour guide)
- Timber-Look Aluminium - Alpine Ash
- Timber-Look Aluminium - Mountain Gum
- Timber-Look Aluminium - Ironbark

#### Frame Material

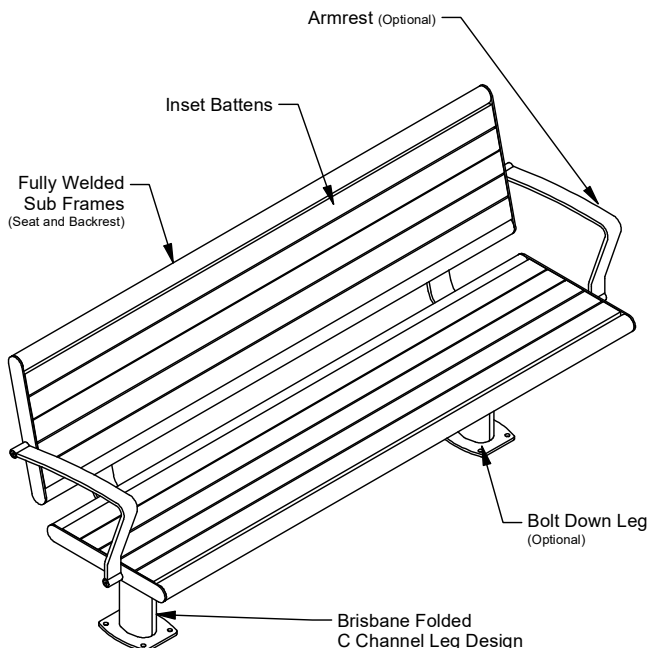
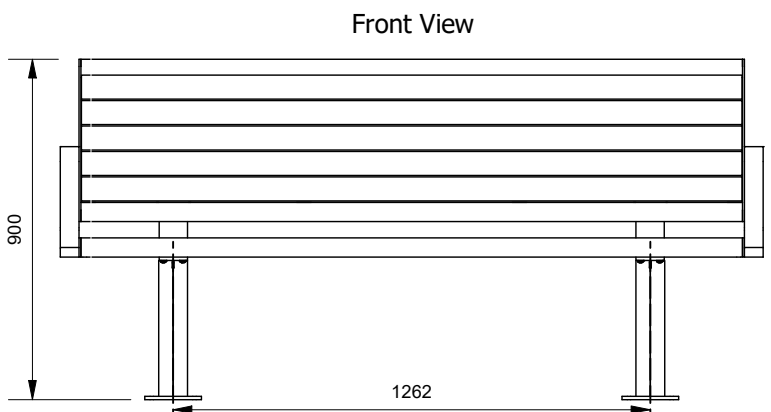
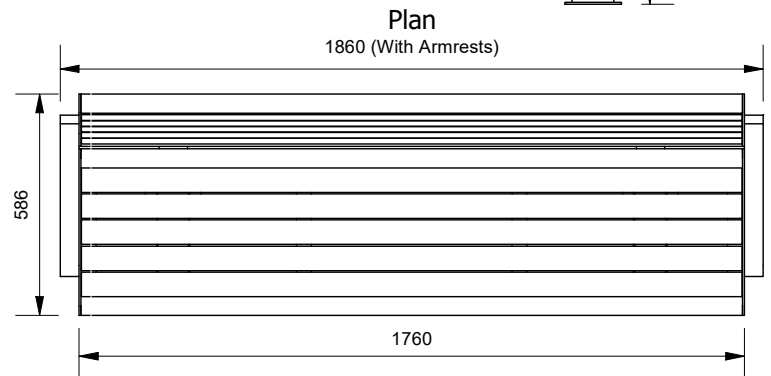
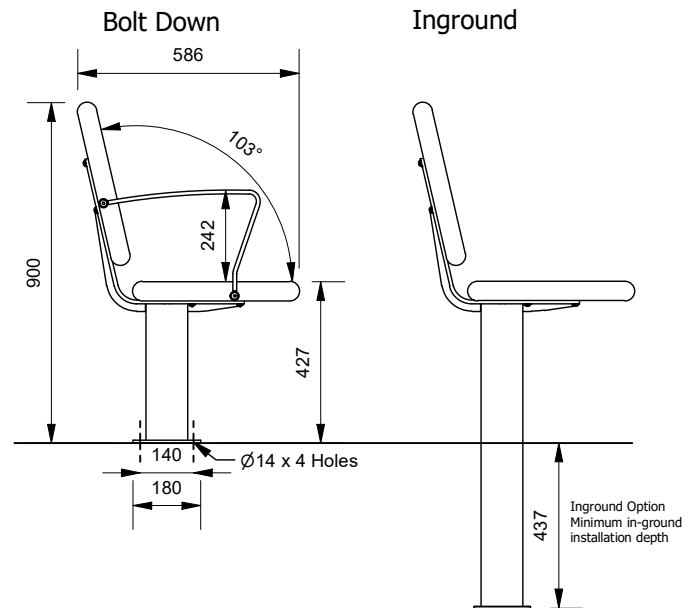
- 304 Stainless Steel
- 316 Stainless Steel

#### Mounting Options

- Bolt Down
- Inground

#### Other Options

- Armrests
- Custom Dimensions



More information:  
Go to the website for spec inspiration.  
**88756** - Brisbane Seat with Back  
<https://draffin.com.au/product/brisbane-seat-back/>

Batten Guide  
<https://draffin.com.au/batten-guide/>

Stainless Steel Guide  
<https://draffin.com.au/stainless-steel-guide/>

DDA guide  
<https://draffin.com.au/dda/>