

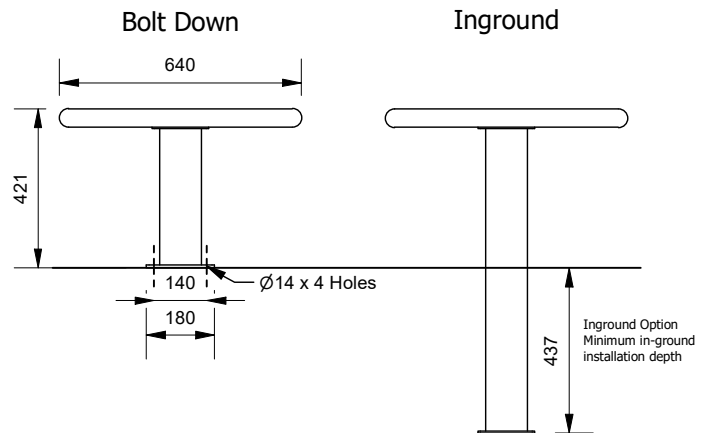
# Brisbane Double Wide Bench

88755 - Brisbane Double Wide Bench

**DRAFFIN**  
Street Furniture



The Brisbane Double Wide Bench provides enough room for seating either side. And also has fully welded seat subframes that fully support inset battens for extra strength and protection. Stainless steel construction with specially designed C channel leg that bolsters strength and aesthetics. The Brisbane suite has style and strength built in.



## Batten Material (See batten guide)

65mm x 19mm

- Spotted Gum
- Enviroslat Composite
- Anodised Aluminium
- Powdercoated Aluminium (See colour guide)
- Timber-Look Aluminium - Alpine Ash
- Timber-Look Aluminium - Mountain Gum
- Timber-Look Aluminium - Ironbark

## Frame Material

- 304 Stainless Steel
- 316 Stainless Steel

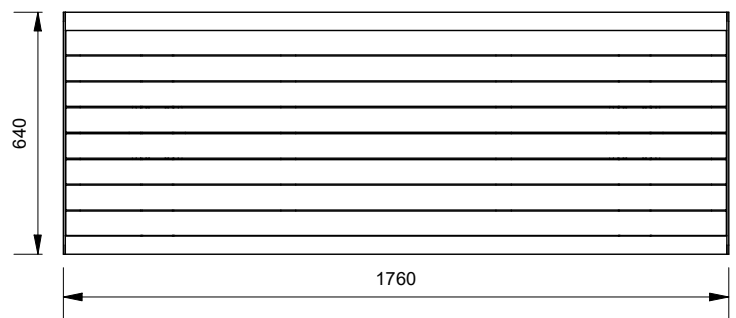
## Mounting Options

- Bolt Down
- Inground

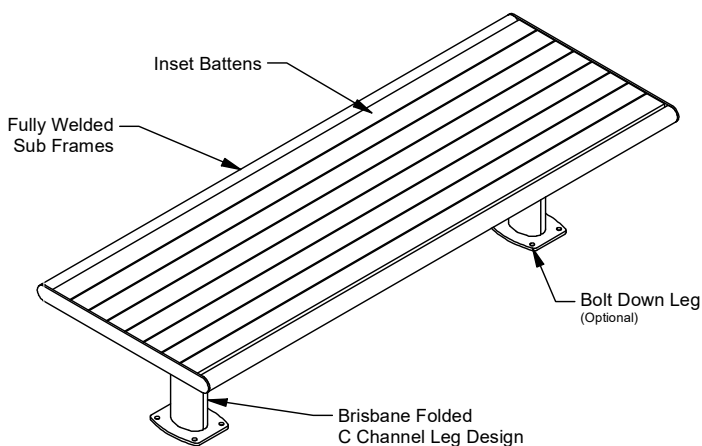
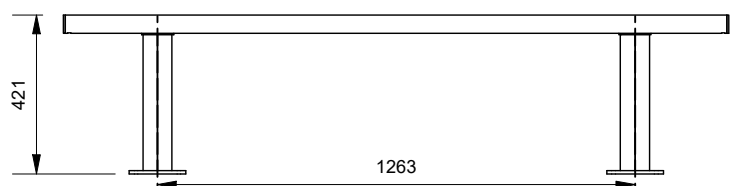
## Other Options

- Custom Dimensions

Plan



Front View



## More information:

Go to the website for spec inspiration.

**88755** - Brisbane Double Wide Bench

<https://draffin.com.au/product/brisbane-dbl-width-bench-seat/>

## Batten Guide

<https://draffin.com.au/batten-guide/>

## Stainless Steel Guide

<https://draffin.com.au/stainless-steel-guide/>

## DDA guide

<https://draffin.com.au/dda/>