

Brisbane Bench Seat

88754 - Brisbane Bench Seat

■ DRAFFIN ■
Street Furniture



The Brisbane Bench Seat has fully welded seat subframes that fully support inset battens for extra strength and protection. Stainless steel construction with specially designed C channel leg that bolsters strength and aesthetics. The Brisbane suite has style and strength built in.

Batten Material (See batten guide)

65mm x 19mm

- Spotted Gum
- Enviroslat Composite
- Anodised Aluminium
- Powdercoated Aluminium (See colour guide)
- Timber-Look Aluminium - Alpine Ash
- Timber-Look Aluminium - Mountain Gum
- Timber-Look Aluminium - Ironbark

Frame Material

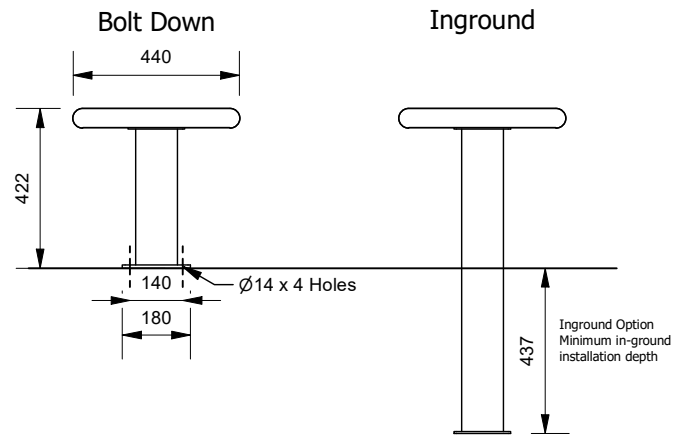
- 304 Stainless Steel
- 316 Stainless Steel

Mounting Options

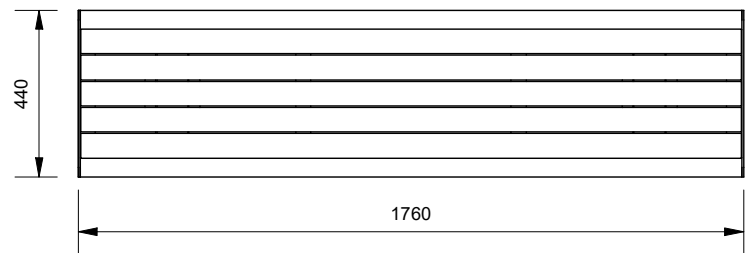
- Bolt Down
- Inground

Other Options

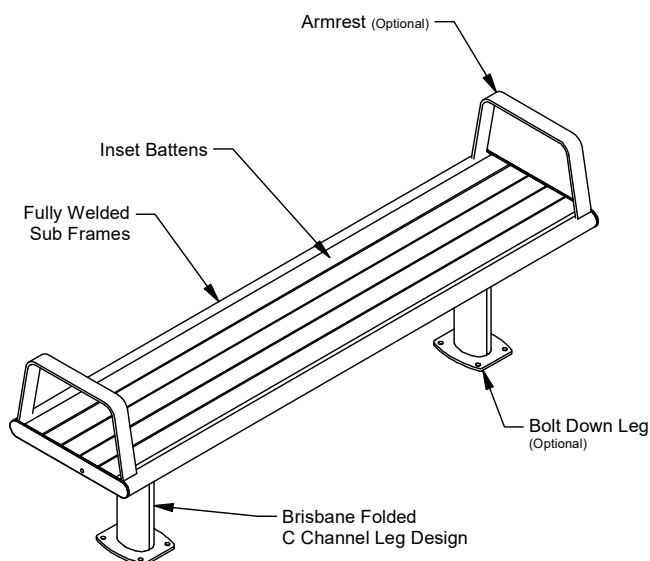
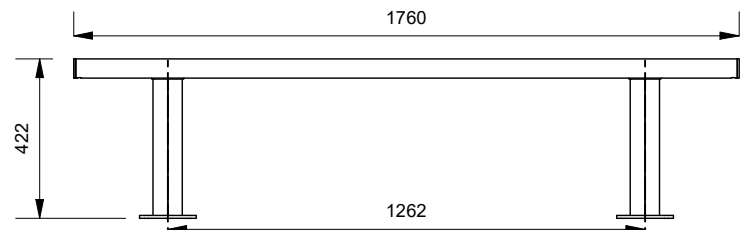
- Armrests
- Custom Dimensions



Plan



Front View



More information:

Go to the website for spec inspiration.

88754 - Brisbane Bench Seat
<https://draffin.com.au/product/brisbane-bench-seat/>

Batten Guide
<https://draffin.com.au/batten-guide/>

Stainless Steel Guide
<https://draffin.com.au/stainless-steel-guide/>

DDA guide
<https://draffin.com.au/dda/>