

Eat n' Shade

Model 88507 - Eat n' Shade

DRAFFIN
Street Furniture



The Eat n' Shade picnic setting offers shade from the weather while seating up to 6 people comfortably. A heavy-duty galvanised & powdercoated mild steel frame with a Colourbond curved roof. The table and benches can be specified with aluminium planks or HDPE recycled plastic.

Batten Options

AL Planks - 250mm x 50mm

- Anodised Aluminium
- Powdercoated Aluminium
- Timber-Look Aluminium - Mountain Gum
- Timber-Look Aluminium - Alpine Ash
- Timber-Look Aluminium - Ironbark

or

HDPE Sheet - 25mm thick

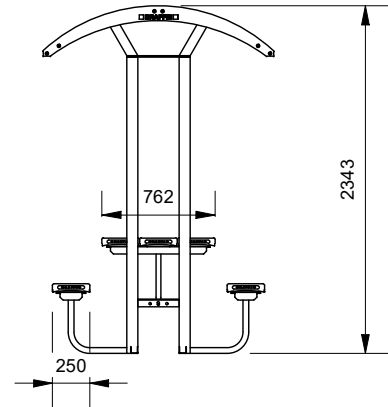
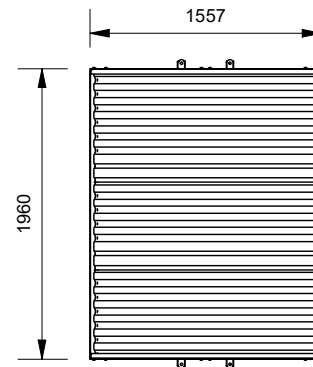
- HDPE Recycled Plastic (See Recycled Plastic Colours)

Mounting Options

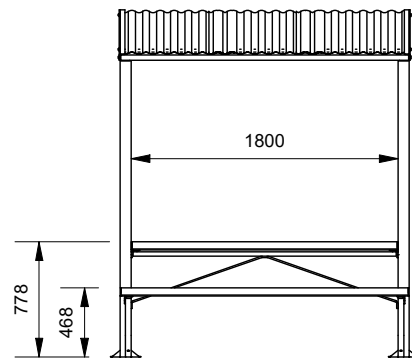
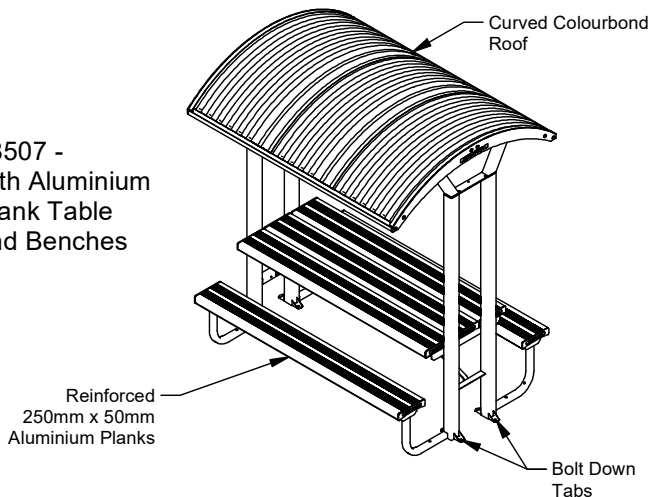
- Bolt Down
- In-Ground Anchors

Other Options

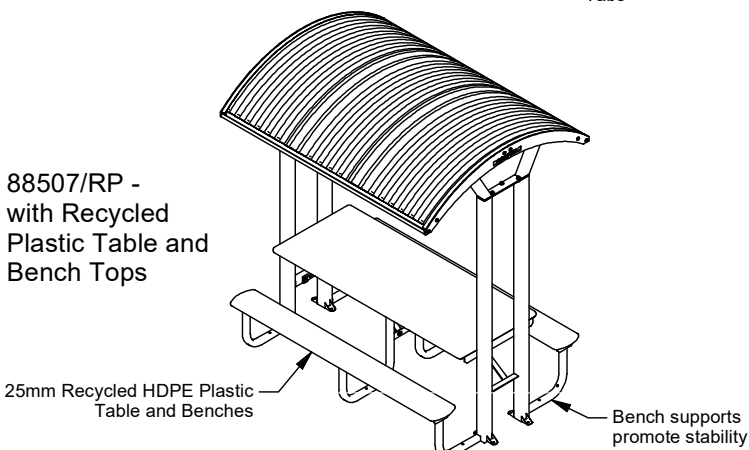
- Coloured End Caps on Aluminium Planks
- Chess Board Insert



88507 -
with Aluminium
Plank Table
and Benches



88507/RP -
with Recycled
Plastic Table
and Bench
Tops



More information:

Go to the website for spec inspiration.

88507 - Eat n' Shade

<https://draffin.com.au/product/eat-n-shade/>

Batten Guide

<https://draffin.com.au/batten-guide/>

Colour Guide

<https://draffin.com.au/colour-guide/>

Recycled Plastic Colour Guide

<https://draffin.com.au/recycled-plastic-colour-chart/>