

# Hamilton Planter

61(x) Hamilton Planter

**DRAFFIN**  
Street Furniture



Hamilton Planters are a modular range of custom planters with features to help maintain plant health, including a built in water wicking system and overflow drainage. There are several standard dimension options for length, width and height, and cantilever benches and tables can be added, making the Hamilton Planter the ultimate commercial planter.

## Material

- Weathering Steel
- Powdercoated (Hot Dipped Galvanised Mild Steel)
- 304 Grade Stainless-Steel
- 316 Grade Stainless-Steel

## Planter Length

- 410mm
- 500mm
- 750mm
- 1000mm
- 2000mm

## Planter Width

- 410mm
- 500mm
- 750mm
- 1000mm

## Planter Height

- 500mm
- 750mm
- 1000mm

## Cantilever Bench Seats (430mm High)

- 1 Side
- 2 Sides
- 3 Sides
- 4 Sides

## Cantilever Tables (750mm High)

- 1 Side
- 2 Sides
- 3 Sides
- 4 Sides

## Cantilever Bar Height Tables (1000mm High)

- 1 Side
- 2 Sides
- 3 Sides
- 4 Sides

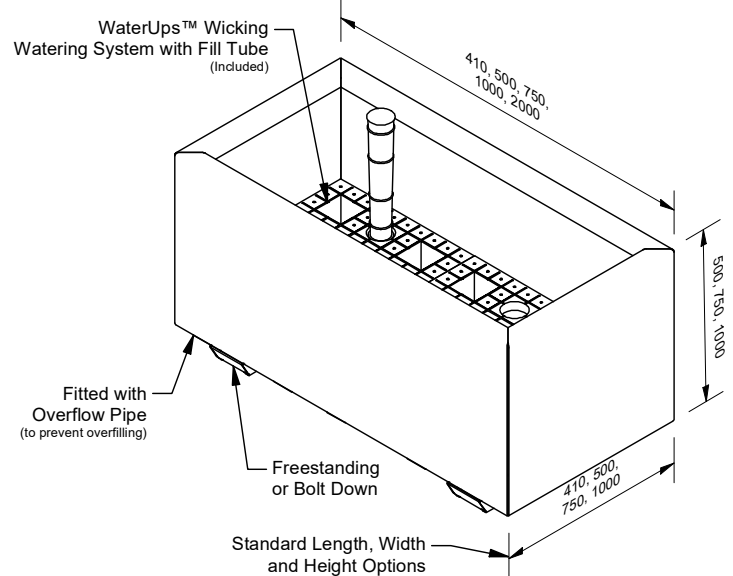
## Bench or Table Batten Material

- Spotted Gum
- Enviroslat Composite
- Anodised Aluminium
- Powdercoated Aluminium
- Timber-Look Aluminium - Mountain Gum
- Timber-Look Aluminium - Ironbark
- Timber-Look Aluminium - Alpine Ash

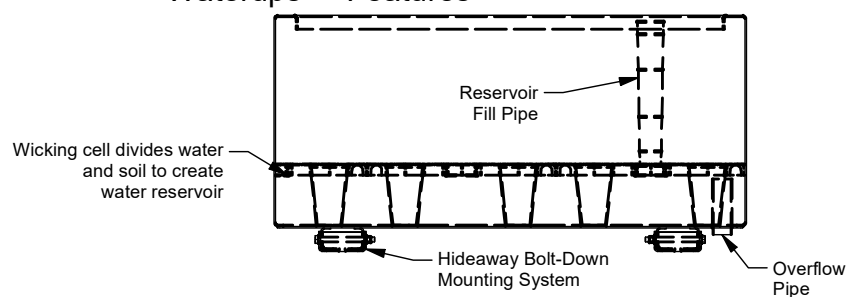
## Other Options

- Without WaterUps™ Wicking System

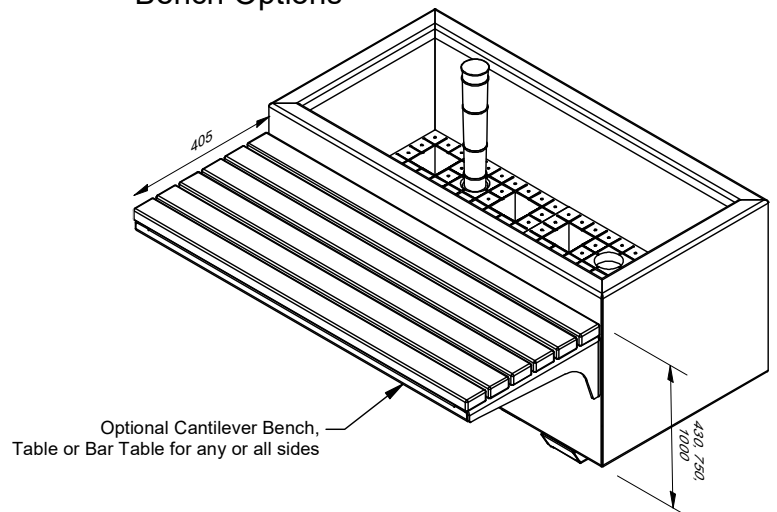
## Planter Features



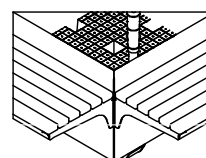
## Waterups™ Features



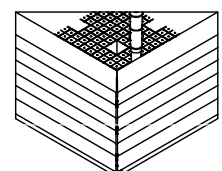
## Bench Options



Straight Bench, Table  
or Bar Top Ends



Mitred Bench, Table or  
Bar Top Ends



# Hamilton Planter

61(x) Hamilton Planter



## Planter Dimensions

Hamilton Planters can be manufactured in various standard lengths, widths, and heights. In effect, the Hamilton Planter can be made for a single shrub, and right up to large shade trees all with the same design.

		Length (Plan View)				
		410mm	500mm	750mm	1000mm	2000mm
Width	410mm					
	500mm					
	750mm					
	1000mm					

		Length (front view)				
		410mm	500mm	750mm	1000mm	2000mm
Height	500mm					
	750mm					
	1000mm					

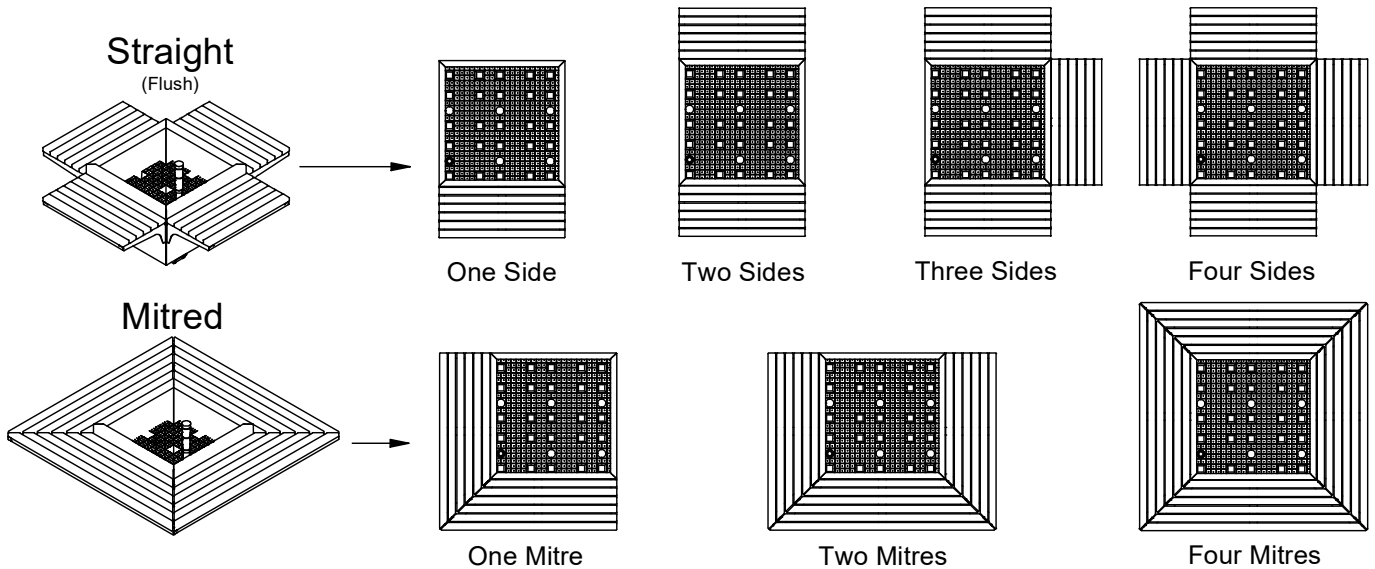
# Hamilton Planter

61(x) Hamilton Planter



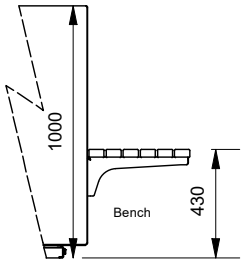
## Planter Benches (Optional)

Hamilton Planters can be optioned with cantilever benches with battens and can be fixed at three standard bench heights utilised as a seat, a table or bar height table **on any or all sides** depending on the application and the height of the planter. The bench width is determined by the planter size, or you can opt for more bench space by choosing mitred bench corners.

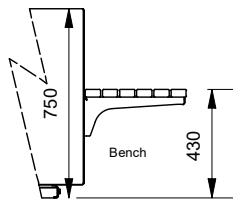


## Bench Heights

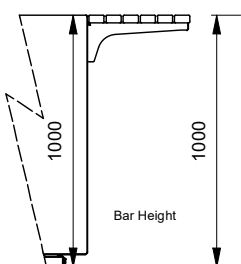
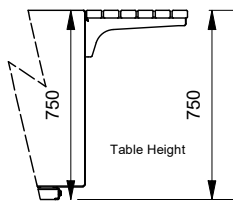
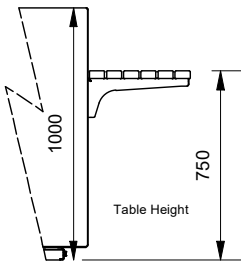
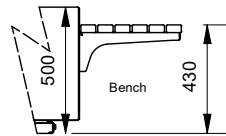
1000mm High Planters



750mm High Planters

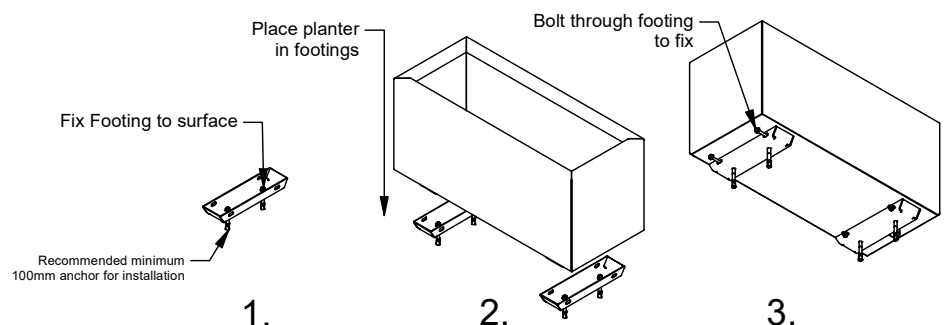


500mm High Planters



## Mounting

Hamilton Planters can be left freestanding, or can be easily bolted to concrete surfaces using supplied bolt down footing brackets. Simply fix the bolt down footing in position and locate planter over the footings. To lock into position, bolts are used through the side of the footing.



# Hamilton Planter

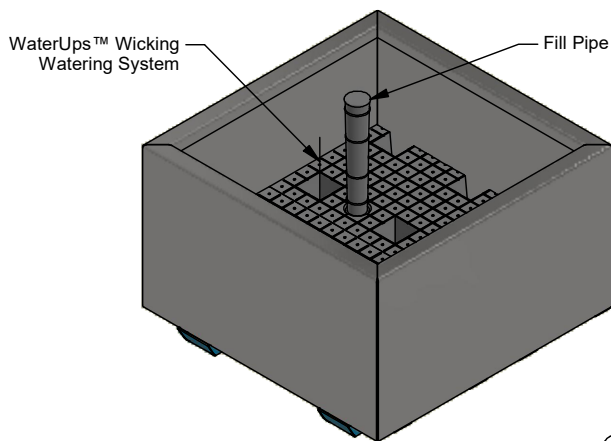
61(x) Hamilton Planter

**DRAFFIN**  
Street Furniture

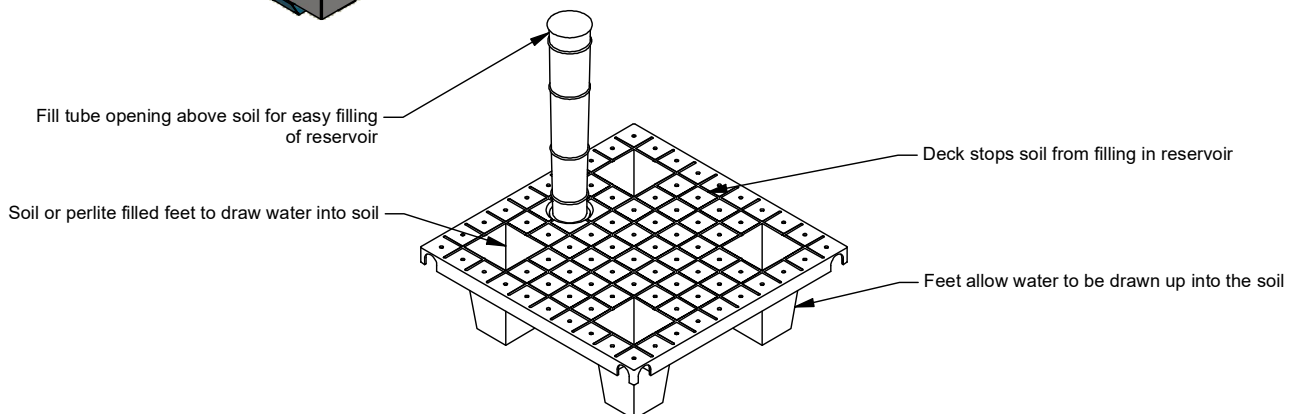
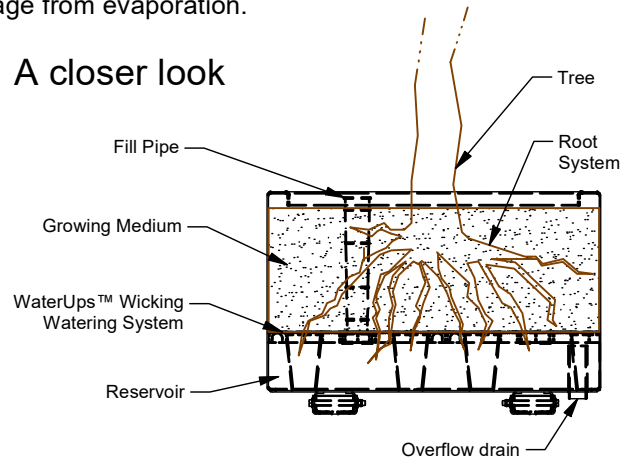


## Watering Management

Hamilton Planters have built in features to maintain plant health. A planter allows temporary and permanent placement of plants and trees in places that otherwise would not be possible. To maintain plant health, adequate water needs to be available. Hamilton planters have built in wicking watering systems as standard. A wicking watering system separates water from soil, and "wicks" or draws water into the soil from the reservoir ensuring the plant only uses what it needs. The result makes for efficient water usage, and minimal water wastage from evaporation.



### A closer look



## Overflow Protection

While the built in wicking watering system forms a reservoir at the base of the planter, an overflow drain ensures the planter cannot be overfilled. The overflow drain stops the level of the reservoir from dampening the soil that can lead to plants drowning from over-watering. Plants will naturally reach for water as the reservoir level drops.

More information:  
Go to the website for spec inspiration.

**61x - Hamilton Planter**  
<https://draffin.com.au/product/hamilton-planter-box/>  
<https://draffin.com.au/product/hamilton-stainless-steel-planter-box/>  
<https://draffin.com.au/product/hamilton-square-planter/>  
<https://draffin.com.au/product/hamilton-planter-bar/>

Colour Guide  
<https://draffin.com.au/colour-guide/>

Batten Guide  
<https://draffin.com.au/batten-guide/>

Stainless Steel Guide  
<https://draffin.com.au/stainless-steel-guide/>

Weathering Steel Guide  
<https://draffin.com.au/weathering-steel-guide/>

