

900 Series High Pyramid Cover 120lt Bin Surround

Model 912 - 900 Series High Pyramid Cover 120lt Bin Surround

DRAFFIN
Street Furniture



900 series High Pyramid Cover Bin Surrounds offer one to four sides access to the openings while keeping the weather out, and with several opening styles. 900 Series Bin Surrounds have a fully welded frame for strength and are clad with battens or recycled HDPE panels to soften their appearance.

Size

- 120lt

Cover Style

- High Pyramid Cover

Cover Material

- Powdercoated Mild Steel (See Colour Guide)
- 304 Stainless Steel
- 316 Stainless Steel

Cover Opening

Quantity 1 2 3 4

- Frogmouth
- Recycle Escutcheon (Rubber Rosette)
- Recycle (without Rubber Rosette)

Frame Material

- Powdercoated Mild Steel (See Colour Guide)
- 304 Stainless Steel
- 316 Stainless Steel

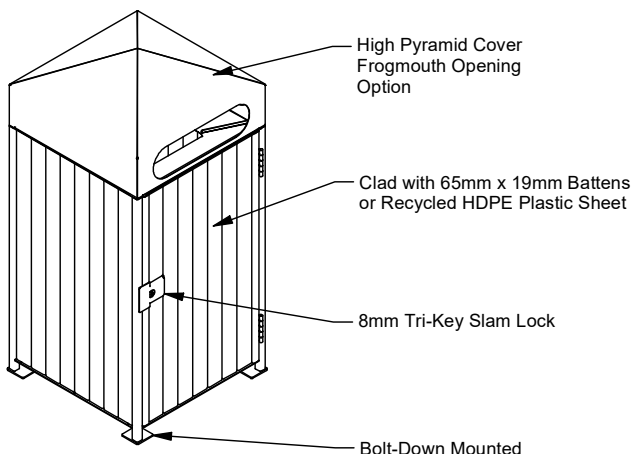
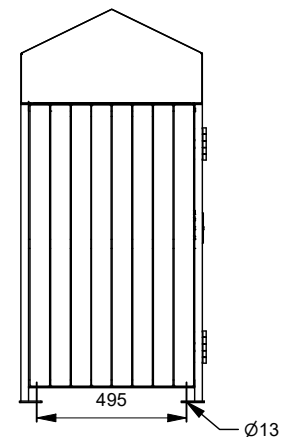
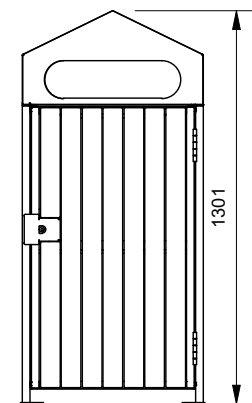
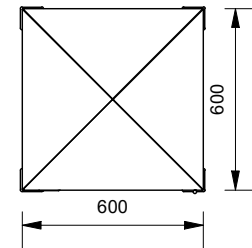
Batten Material (See Batten Guide)

65mm x 19mm

- Spotted Gum
- Enviroslat
- Anodised Aluminium
- Powdercoated Aluminium (See Colour Guide)
- Timber-Look Aluminium - Alpine Ash
- Timber-Look Aluminium - Mountain Gum
- Timber-Look Aluminium - Ironbark
- or
- Recycled HDPE Panels - Plain (See Recycled Plastic Colour Guide)
- Recycled HDPE Panels - Routed Pattern (See Pattern Guide)

Other Options

- Communication Signage (See Signage Guide)
- Cover Face Plates
- Dog Bag Dispenser (External Mounted - Model 88737)



More information:
Go to the website for spec inspiration.

912 - 120lt 900 Series High Pyramid Cover Bin Surround
<https://draffin.com.au/product/900-series-high-pyramid-bin-surround/>

Colour Guide
<https://draffin.com.au/colour-guide/>

Signage Guide
<https://draffin.com.au/signage-guide/>

Batten Guide
<https://draffin.com.au/batten-guide/>

Stainless Steel Guide
<https://draffin.com.au/stainless-steel-guide/>

Recycled HDPE Plastic Guide
<https://draffin.com.au/recycled-plastic-colour-chart/>

900 Series High Pyramid Cover 120lt Bin Surround

Model 912 - 900 Series High Pyramid Cover 120lt Bin Surround

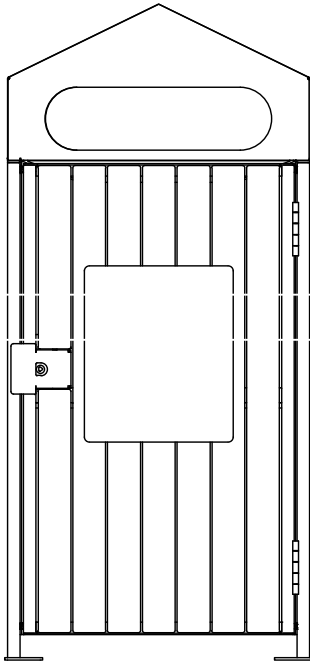


Signage options for 900 Series Bin Surrounds

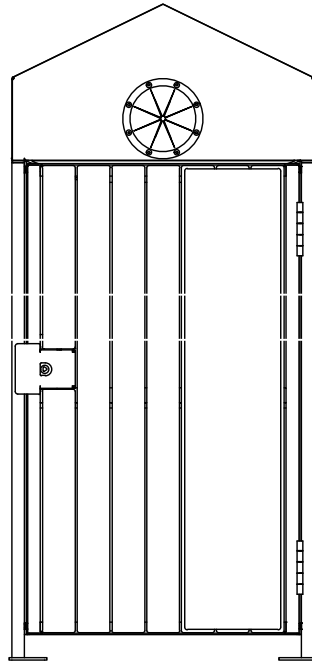
Sign panel variations including sticker

(Shown with High pyramid Frogmouth Opening)

(Shown with High Pyramid Recycle Opening and Rubber Rosette)



A4 Sign
Panel

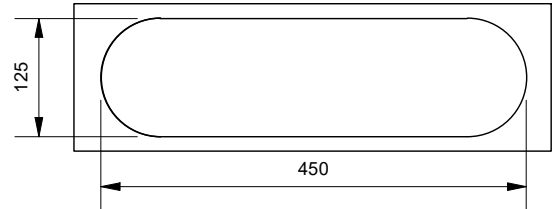


Vertical
Sign Panel

120lt High Pyramid Cover Openings

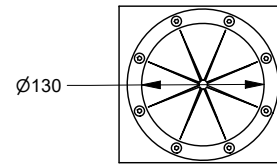
Frogmouth Opening

with angled chute to direct refuse into wheelie bin

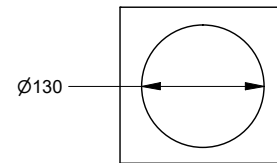


Recycle Opening with Rosette

with Heavy-Duty rubber escutcheon



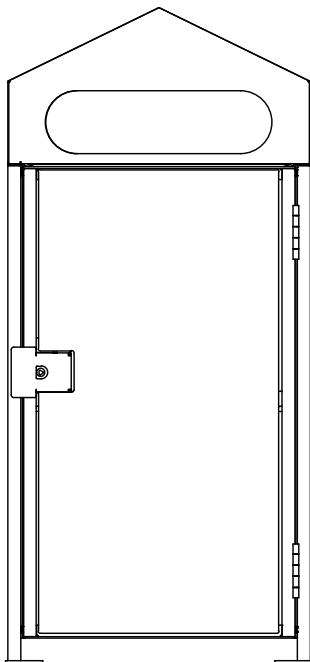
Recycle Opening without Rosette



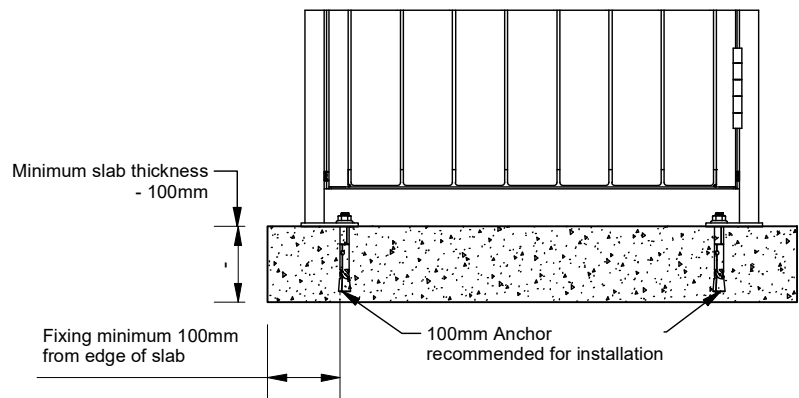
HDPE Recycled Plastic Panels

(In place of battens)

Plain panels (standard)
or routed patterns
available
(See pattern Guide)



Installation Detail



900 Series High Pyramid Cover 240lt Bin Surround

Model 932 - 900 Series High Pyramid Cover 240lt Bin Surround

DRAFFIN
Street Furniture



900 series High Pyramid Cover Bin Surrounds offer one to four sides access to the openings while keeping the weather out, and with several opening styles. 900 Series Bin Surrounds have a fully welded frame for strength and are clad with battens or recycled HDPE panels to soften their appearance.

Size

240lt

Cover Style

High Pyramid Cover

Cover Material

Powdercoated Mild Steel (See Colour Guide)
 304 Stainless Steel
 316 Stainless Steel

Cover Opening

Quantity 1 2 3 4

Frogmouth
 Recycle Escutcheon (Rubber Rosette)
 Recycle (without Rubber Rosette)

Frame Material

Powdercoated Mild Steel (See Colour Guide)
 304 Stainless Steel
 316 Stainless Steel

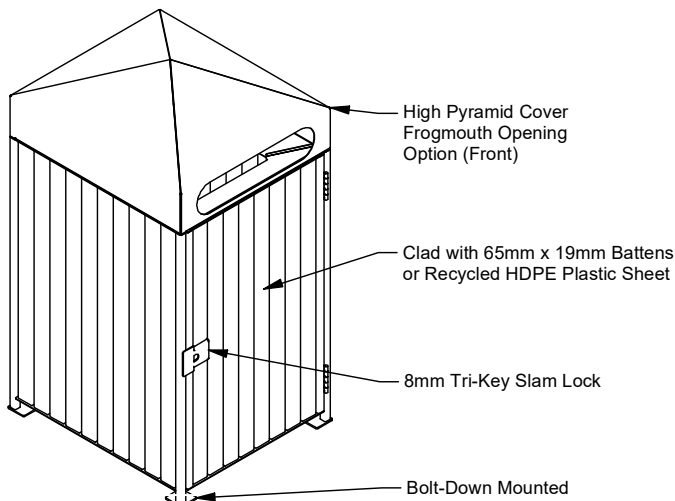
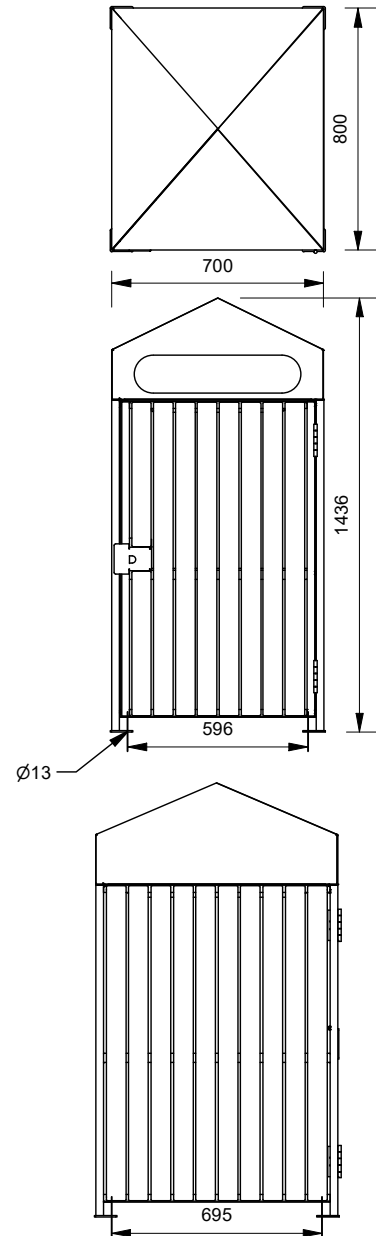
Batten Material (See Batten Guide)

65mm x 19mm

Spotted Gum
 Enviroslat
 Anodised Aluminium
 Powdercoated Aluminium (See Colour Guide)
 Timber-Look Aluminium - Alpine Ash
 Timber-Look Aluminium - Mountain Gum
 Timber-Look Aluminium - Ironbark
 or
 Recycled HDPE Panels - Plain (See Recycled Plastic Colour Guide)
 Recycled HDPE Panels - Routed Pattern (See Pattern Guide)

Other Options

Communication Signage (See Signage Guide)
 Cover Face Plates
 Dog Bag Dispenser (External Mounted - Model 88737)



More information:
Go to the website for spec inspiration.

932 - 240lt 900 Series High Pyramid Cover Bin Surround
<https://draffin.com.au/product/900-series-high-pyramid-bin-surround/>

Colour Guide
<https://draffin.com.au/colour-guide/>

Signage Guide
<https://draffin.com.au/signage-guide/>

Batten Guide
<https://draffin.com.au/batten-guide/>

Stainless Steel Guide
<https://draffin.com.au/stainless-steel-guide/>

Recycled HDPE Plastic Guide
<https://draffin.com.au/recycled-plastic-colour-chart/>

900 Series High Pyramid Cover 240lt Bin Surround

Model 932 - 900 Series High Pyramid Cover 240lt Bin Surround

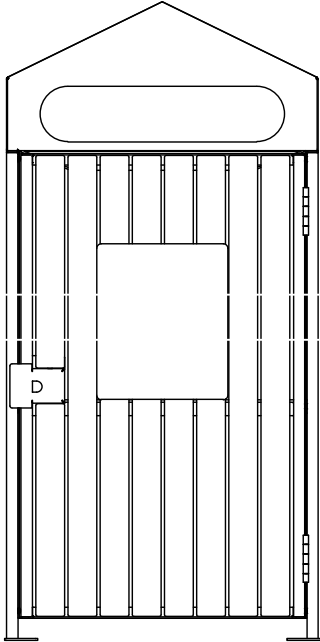


Signage options for 900 Series Bin Surrounds

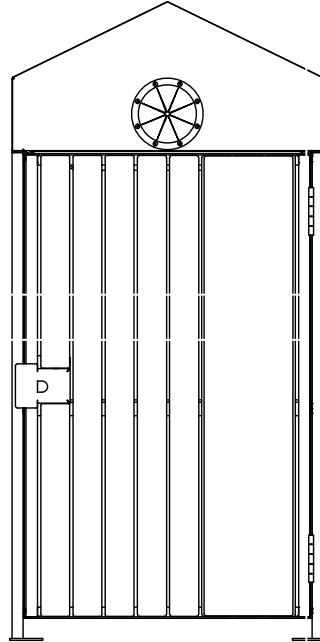
Sign panel variations including sticker

(Shown with High Pyramid Cover Frogmouth Opening)

(Shown with High Pyramid Cover Recycle Opening with Rubber Rosette)



A4 Sign Panel

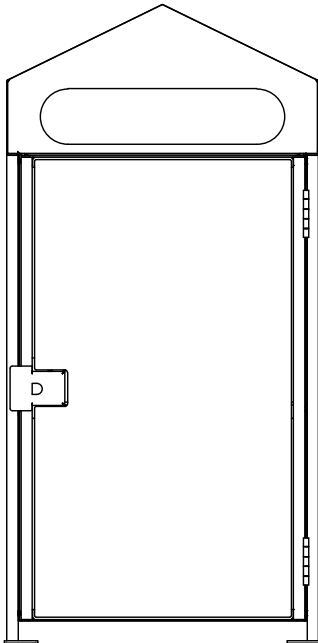


Vertical Sign Panel

HDPE Recycled Plastic Panels

(In place of battens)

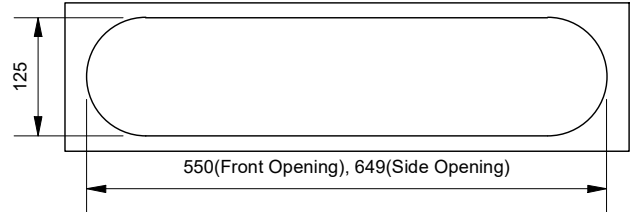
Plain panels (standard) or routed patterns available (See pattern Guide)



240lt High Pyramid Cover Openings

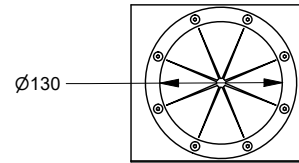
Frogmouth Opening

with angled chute to direct refuse into wheelie bin

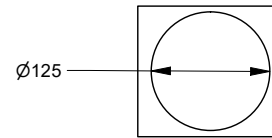


Recycle Opening with Rosette

with Heavy-Duty rubber escutcheon



Recycle Opening without Rosette



Installation Detail

