

# 900 Series Curved Cover 120lt Bin Surround

Model 919 - 900 Series Curved Cover 120lt Bin Surround

**DRAFFIN**  
Street Furniture



900 series Curved Cover Bin Surrounds are an alternate design to the Sloped Cover Bin Surround, providing an opening on one side with several opening styles. 900 Series Bin Surrounds have a fully welded frame for strength and are clad with battens or recycled HDPE panels to soften their appearance.

#### Size

- 120lt

#### Cover Style

- Curved Cover

#### Cover Material

- Powdercoated Mild Steel (See Colour Guide)
- 304 Stainless Steel
- 316 Stainless Steel

#### Cover Opening

- Frogmouth
- Recycle Escutcheon (Rubber Rosette)
- Recycle (without Rubber Rosette)

#### Frame Material

- Powdercoated Mild Steel (See Colour Guide)
- 304 Stainless Steel
- 316 Stainless Steel

#### Batten Material (See Batten Guide)

65mm x 19mm

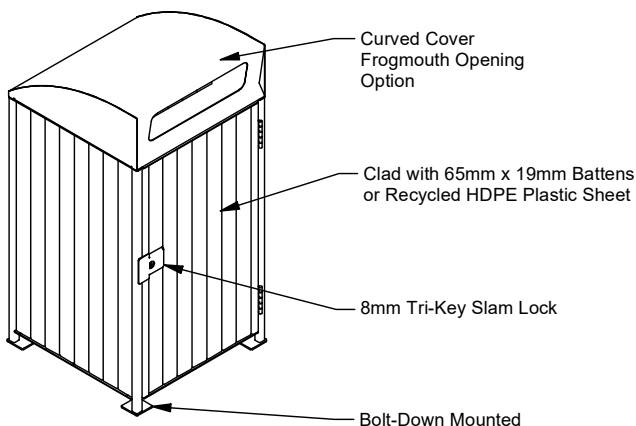
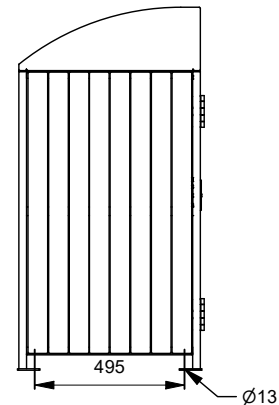
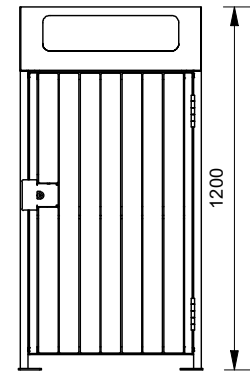
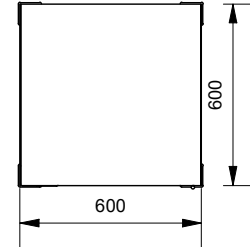
- Spotted Gum
- Enviroslat
- Anodised Aluminium
- Powdercoated Aluminium (See Colour Guide)
- Timber-Look Aluminium - Alpine Ash
- Timber-Look Aluminium - Mountain Gum
- Timber-Look Aluminium - Ironbark

or

- Recycled HDPE Panels - Plain (See Recycled Plastic Colour Guide)
- Recycled HDPE Panels - Routed Pattern (See Pattern Guide)

#### Other Options

- Communication Signage (See Signage Guide)
- Cover Face Plates
- Dog Bag Dispenser (External Mounted - Model 88737)



More information:  
Go to the website for spec inspiration.

**919 - 120lt 900 Series Curved Cover Bin Surround**  
<https://draffin.com.au/product/900-series-curved-timber-clad-bin-surround/>

Colour Guide  
<https://draffin.com.au/colour-guide/>

Signage Guide  
<https://draffin.com.au/signage-guide/>

Batten Guide  
<https://draffin.com.au/batten-guide/>

Stainless Steel Guide  
<https://draffin.com.au/stainless-steel-guide/>

Recycled HDPE Plastic Guide  
<https://draffin.com.au/recycled-plastic-colour-chart/>

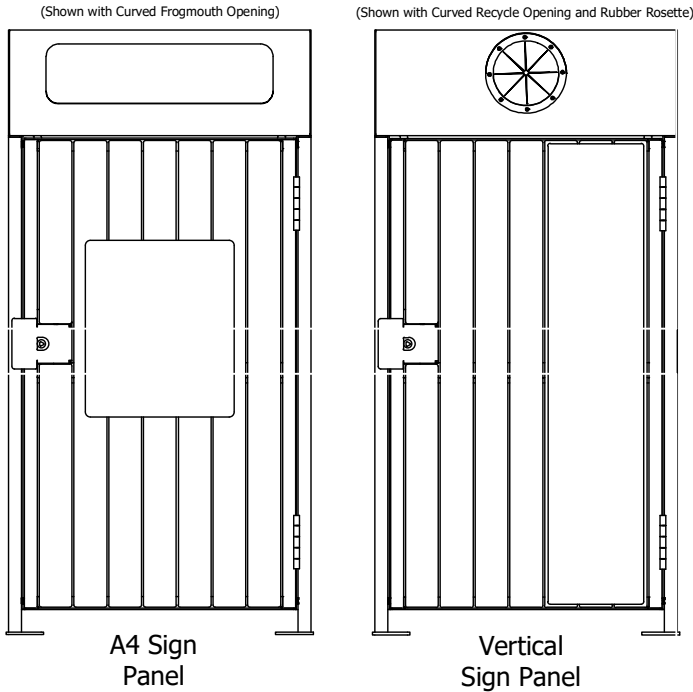
# 900 Series Curved Cover 120lt Bin Surround

Model 919 - 900 Series Curved Cover 120lt Bin Surround



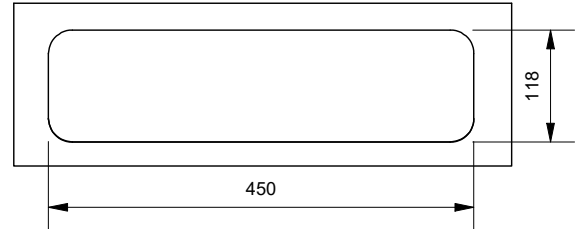
## Signage options for 900 Series Bin Surrounds

Sign panel variations including sticker

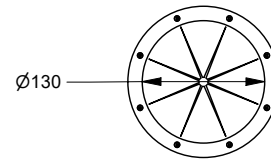


## 120lt Curved Cover Openings

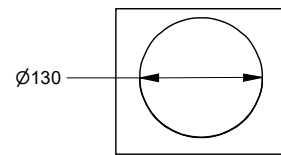
**Frogmouth Opening**  
with angled chute to direct refuse into wheelie bin



**Recycle Opening with Rosette**  
with Heavy-Duty rubber escutcheon

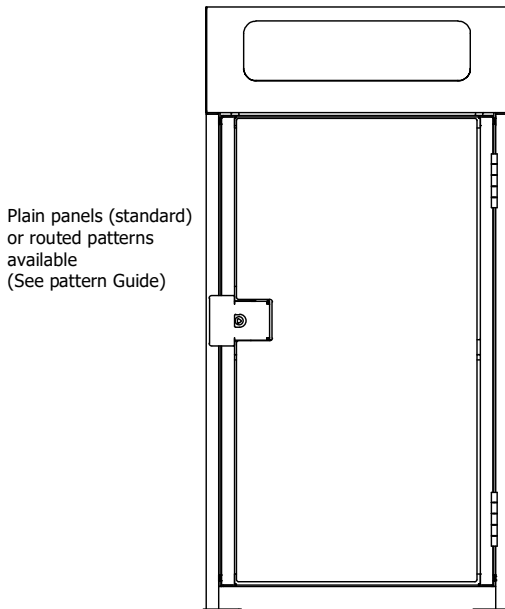


**Recycle Opening without Rosette**



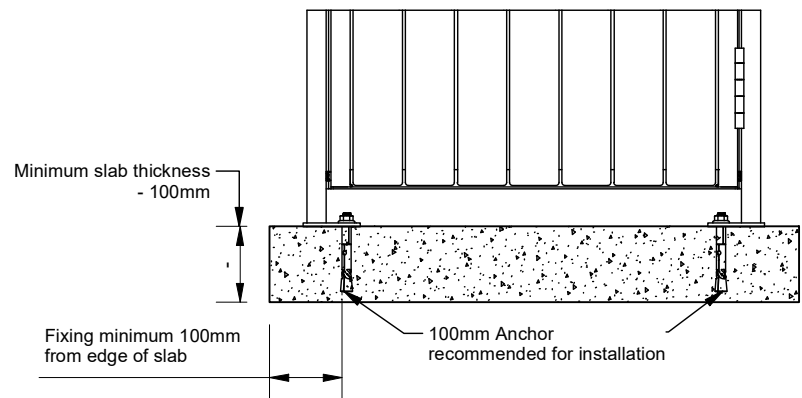
## HDPE Recycled Plastic Panels

(In place of battens)



Plain panels (standard)  
or routed patterns  
available  
(See pattern Guide)

## Installation Detail



# 900 Series Curved Cover 240lt Bin Surround

Model 939 - 900 Series Sloped Cover 240lt Bin Surround

**DRAFFIN**  
Street Furniture



900 series Curved Cover Bin Surrounds are an alternate design to the Sloped Cover Bin Surround, providing an opening on one side with several opening styles. 900 Series Bin Surrounds have a fully welded frame for strength and are clad with battens or recycled HDPE panels to soften their appearance.

#### Size

- 240lt

#### Cover Style

- Curved Cover

#### Cover Material

- Powdercoated Mild Steel (See Colour Guide)
- 304 Stainless Steel
- 316 Stainless Steel

#### Cover Opening

- Frogmouth
- Recycle Escutcheon (Rubber Rosette)
- Recycle (without Rubber Rosette)

#### Frame Material

- Powdercoated Mild Steel (See Colour Guide)
- 304 Stainless Steel
- 316 Stainless Steel

#### Batten Material (See Batten Guide)

65mm x 19mm

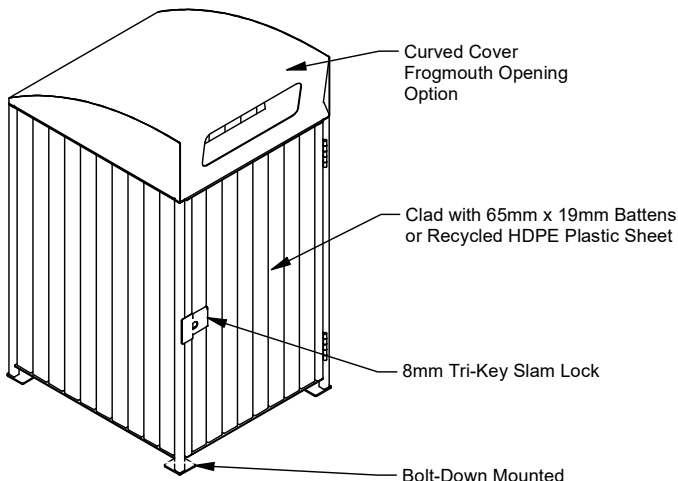
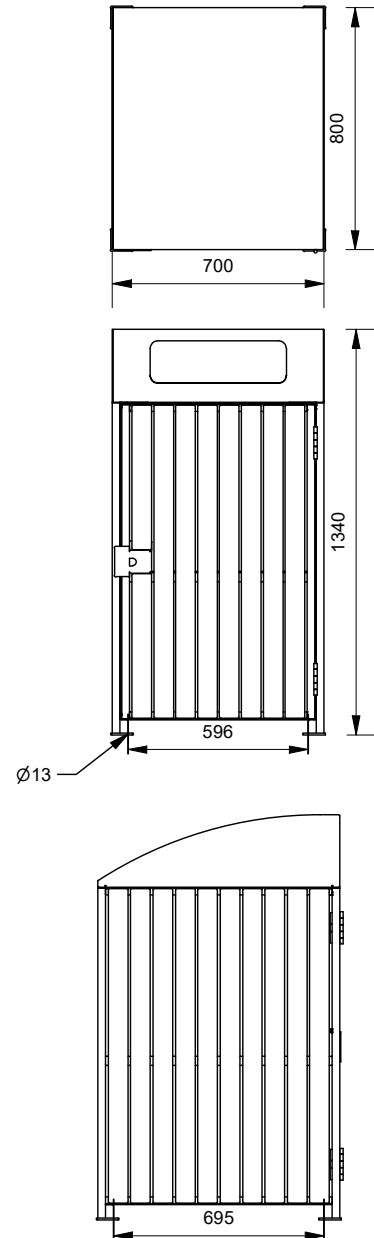
- Spotted Gum
- Enviroslat
- Anodised Aluminium
- Powdercoated Aluminium (See Colour Guide)
- Timber-Look Aluminium - Alpine Ash
- Timber-Look Aluminium - Mountain Gum
- Timber-Look Aluminium - Ironbark

or

- Recycled HDPE Panels - Plain (See Recycled Plastic Colour Guide)
- Recycled HDPE Panels - Routed Pattern (See Pattern Guide)

#### Other Options

- Communication Signage (See Signage Guide)
- Cover Face Plates
- Dog Bag Dispenser (External Mounted - Model 88737)



More information:  
Go to the website for spec inspiration.

**939 - 240lt 900 Series Curved Cover Bin Surround**  
<https://draffin.com.au/product/900-series-curved-timber-clad-bin-surround/>

Colour Guide  
<https://draffin.com.au/colour-guide/>

Signage Guide  
<https://draffin.com.au/signage-guide/>

Batten Guide  
<https://draffin.com.au/batten-guide/>

Stainless Steel Guide  
<https://draffin.com.au/stainless-steel-guide/>

Recycled HDPE Plastic Guide  
<https://draffin.com.au/recycled-plastic-colour-chart/>

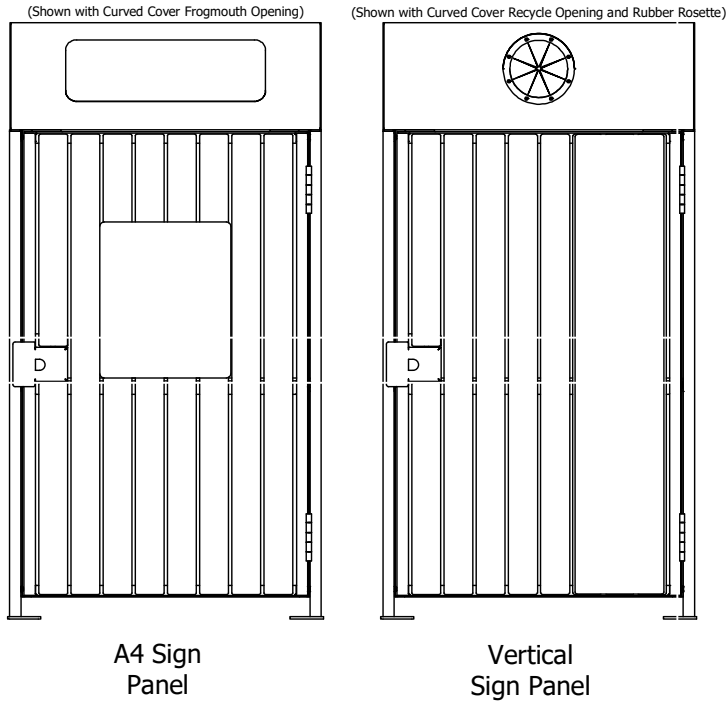
# 900 Series Curved Cover 240lt Bin Surround

Model 939 - 900 Series Curved Cover 240lt Bin Surround



## Signage options for 900 Series Bin Surrounds

Sign panel variations including sticker



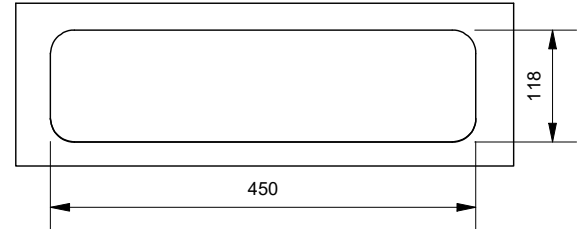
A4 Sign Panel

Vertical Sign Panel

## 240lt Curved Cover Openings

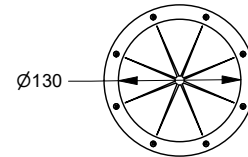
### Frogmouth Opening

with angled chute to direct refuse into wheelie bin

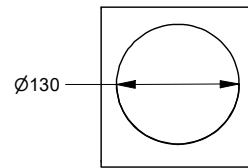


### Recycle Opening with Rosette

with Heavy-Duty rubber escutcheon



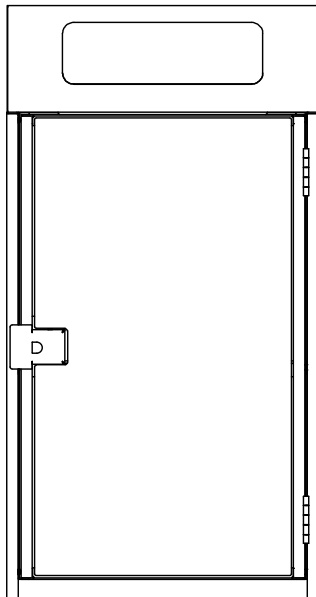
### Recycle Opening without Rosette



## HDPE Recycled Plastic Panels

(In place of battens)

Plain panels (standard)  
or routed patterns  
available  
(See pattern Guide)



## Installation Detail

