

Airlie Table

89052 - Airlie Table

DRAFFIN
Street Furniture



Airlie Table is post mounted for bolt-down or in-ground installation. Two timber profiles are used to create a unique table with curved edges. The Airlie range provides plenty of standard options to suit a wide variety of open space applications.

Batten Material (See batten guide)

110mm x 30mm & 40mm x 30mm

- Spotted Gum
- Enviroslat
- Anodised Aluminium
- Powdercoated Aluminium (See colour guide)
- Timber-Look Aluminium - Alpine Ash
- Timber-Look Aluminium - Mountain Gum
- Timber-Look Aluminium - Ironbark

Frame Material

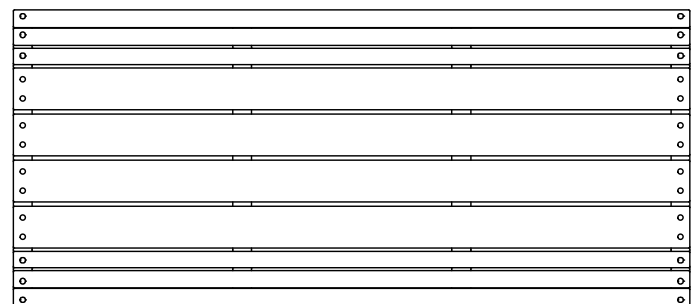
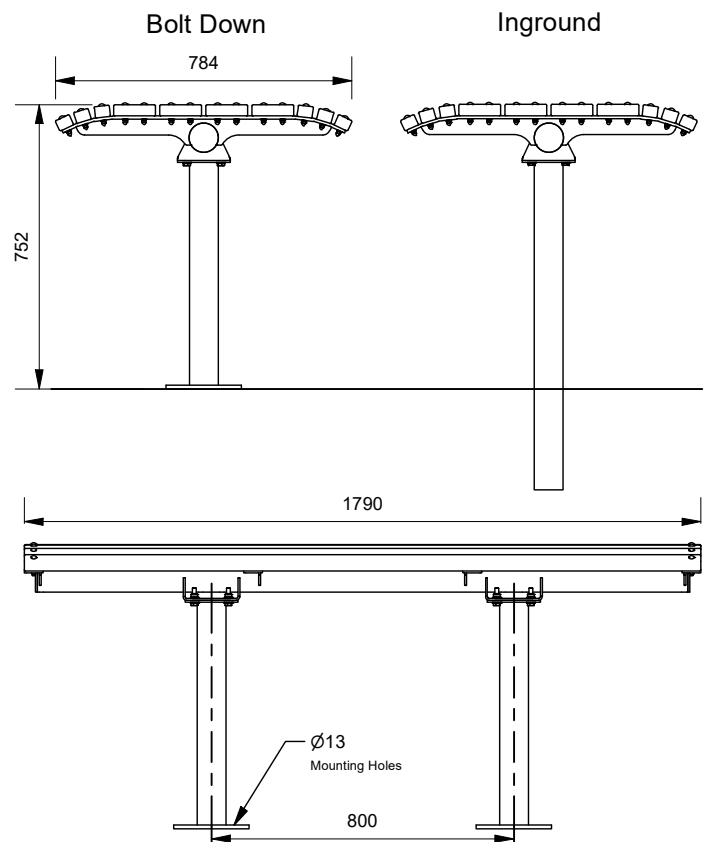
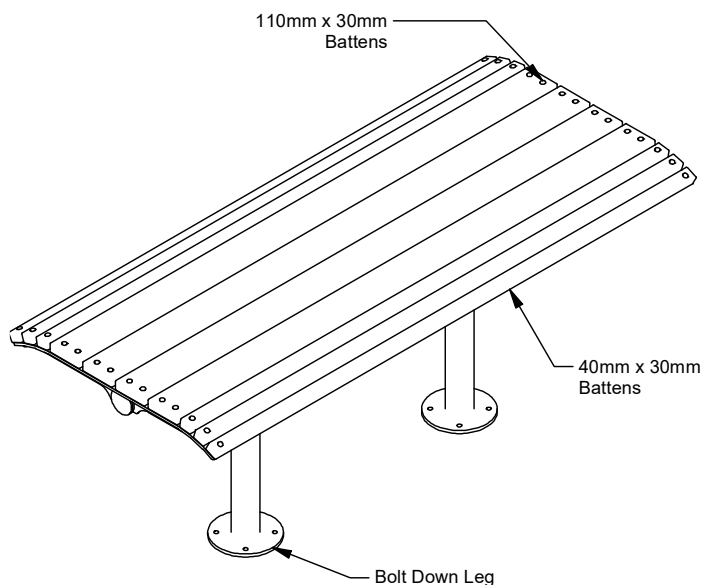
- Galvanised Mild Steel
- 304 Stainless Steel
- 316 Stainless Steel

Mounting Options

- Bolt Down
- Ground Tubes (Inground)
- Inground

Other Options

- Powdercoat Frames
- DDA Options
- Chess Board Insert



More information:
Go to the website for spec inspiration.
89052 - Airlie Table
<https://draffin.com.au/product/airlie-table-setting/>

Batten Guide
<https://draffin.com.au/batten-guide/>

Colour and Plinth Guide
<https://draffin.com.au/colour-guide/>

Stainless Steel Guide
<https://draffin.com.au/stainless-steel-guide/>

DDA guide
<https://draffin.com.au/dda/>

Airlie Table

89052 - Airlie Table



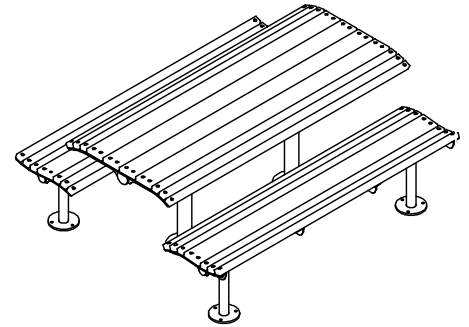
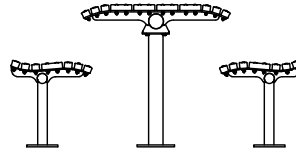
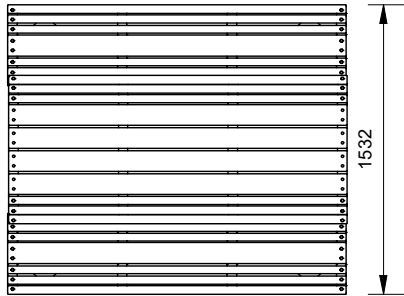
Suggested Table Configurations

Airlie Setting with Single Sided Benches

89062 - Single Sided Bench

89052 - Table

89062 - Single Sided Bench

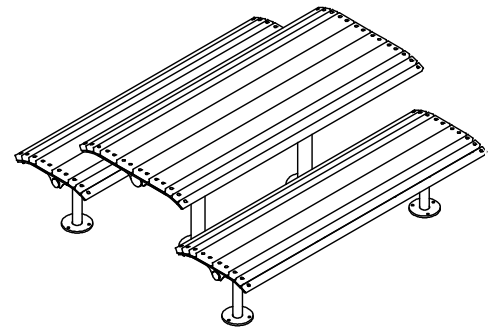
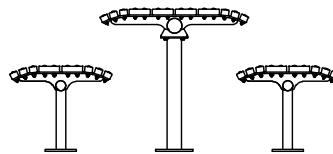
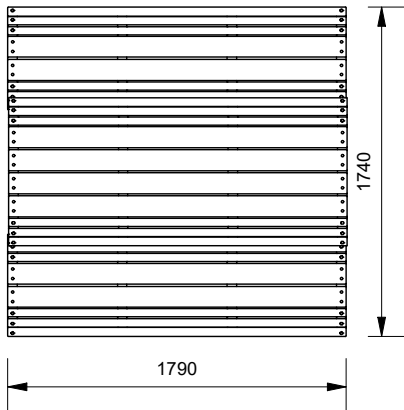


Airlie Setting with Double Sided Benches

89051 - Double Sided Bench

89052 - Table

89051 - Double Sided Bench

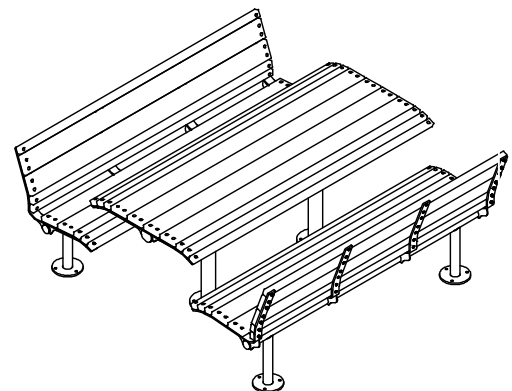
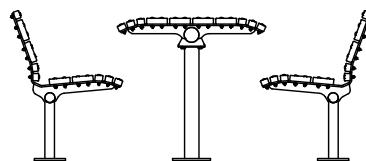
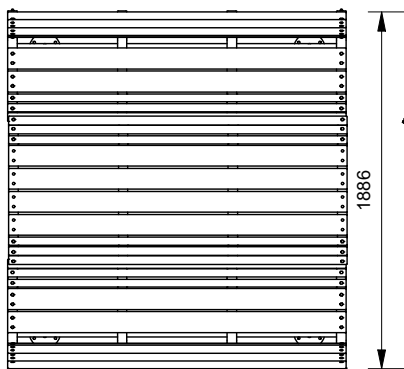


Airlie Setting with Seats

89050 - Seat

89052 - Table

89050 - Seat



Airlie Table with Freestanding Seats

89051/FS - Freestanding Seat

89052 - Table

89051/FS - Freestanding Seat

