

# Airlie Freestanding Bench Seat

89051/FS - Airlie Freestanding Bench Seat

**DRAFFIN**  
Street Furniture



Airlie Freestanding Seat with Back has a flat bar frame for bolt-down and freestanding utilisation. Two timber profiles create a unique and comfortable seat profile. The Airlie range provides plenty of standard options to suit a wide variety of open space applications.

#### Batten Material (See batten guide)

110mmx30mm & 40mmx30mm

- Spotted Gum
- Anodised Aluminium
- Powdercoated Aluminium (See colour guide)
- Timber-Look Aluminium - Alpine Ash
- Timber-Look Aluminium - Mountain Gum
- Timber-Look Aluminium - Ironbark
- Enviroslat

#### Frame Material

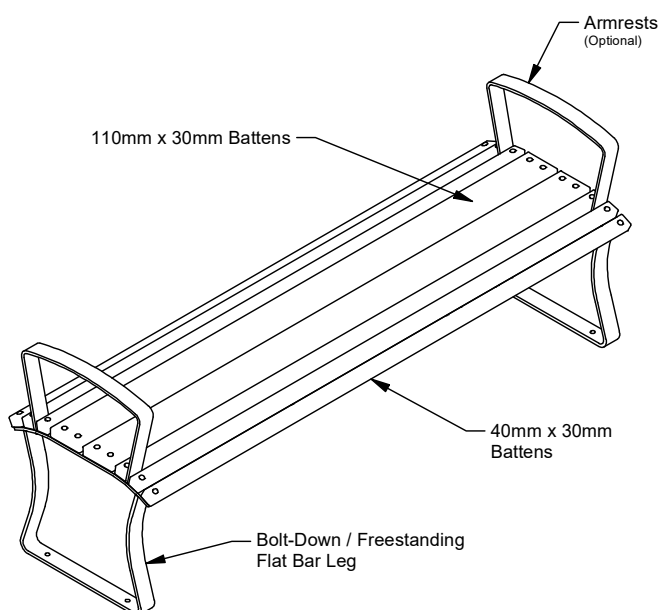
- Galvanised Mild Steel
- 304 Stainless Steel
- 316 Stainless Steel

#### Mounting Options

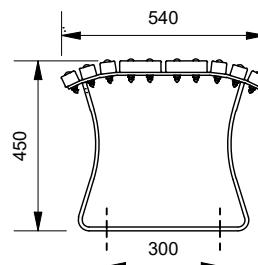
- Bolt Down
- Freestanding

#### Other Options

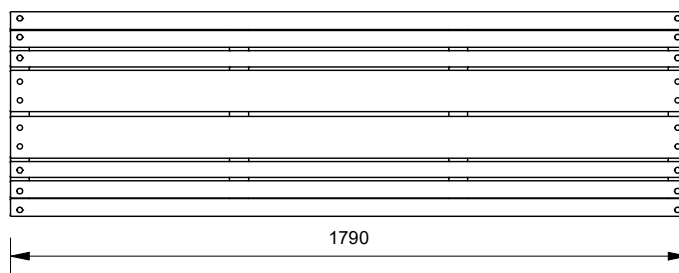
- Powdercoat Frames (See colour guide)
- Armrests
- Custom Dimensions



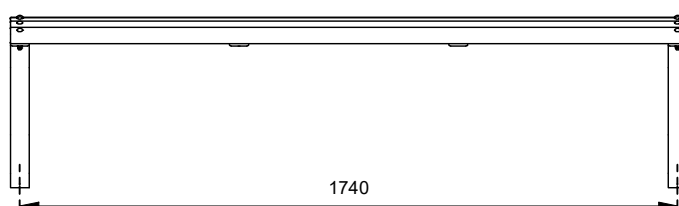
Side



Plan



Front View



#### More information:

Go to the website for spec inspiration.

**88051/FS** - Airlie Freestanding Bench Seat

<https://draffin.com.au/product/airlie-bench-freestanding/>

#### Batten Guide

<https://draffin.com.au/batten-guide/>

#### Powdercoat Colour Guide

<https://draffin.com.au/colour-guide/>

#### Stainless Steel Guide

<https://draffin.com.au/stainless-steel-guide/>

#### DDA guide

<https://draffin.com.au/dda/>