

Airlie Bench Seat

89051 - Airlie Bench Seat (Post Mounted)

DRAFFIN
Street Furniture



Airlie Bench Seat is post mounted for bolt-down or in-ground installation. Two timber profiles are used to create a unique and comfortable seat profile. The Airlie range provides plenty of standard options to suit a wide variety of open space applications.

Batten Material (See batten guide)

110mmx30mm & 40mmx30mm

- Spotted Gum
- Anodised Aluminium
- Powdercoated Aluminium (See colour guide)
- Timber-Look Aluminium - Alpine Ash
- Timber-Look Aluminium - Mountain Gum
- Timber-Look Aluminium - Ironbark
- Enviroslat

Frame Material

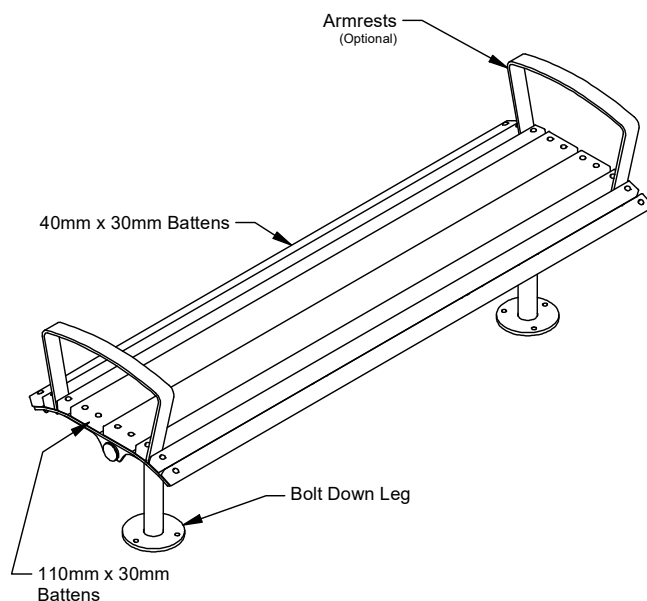
- Galvanised Mild Steel
- 304 Stainless Steel
- 316 Stainless Steel

Mounting Options

- Bolt Down
- Inground
- Ground Tubes

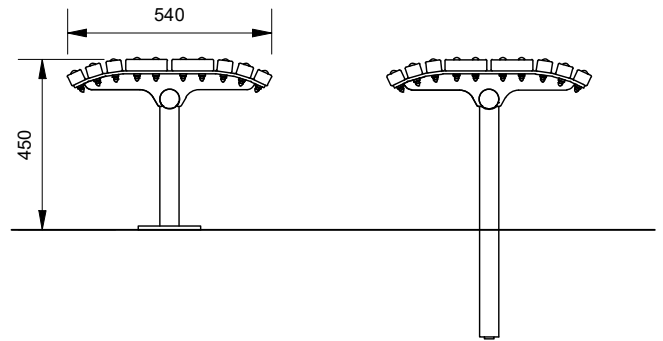
Other Options

- Powdercoat Frames (See colour guide)
- Armrests
- Custom Dimensions

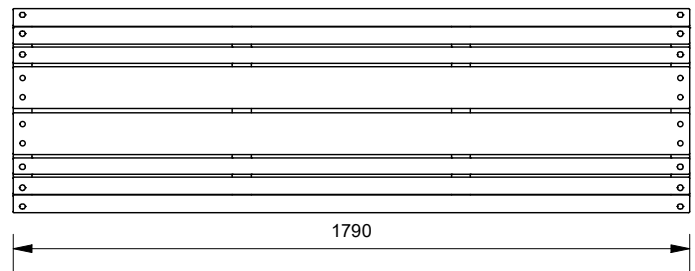


Bolt Down

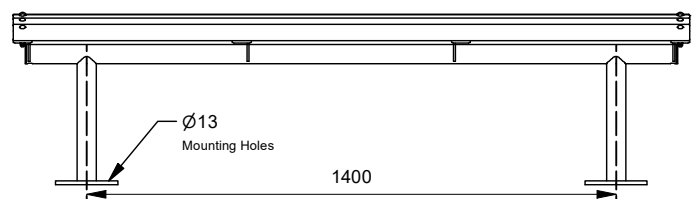
Inground



Plan



Front View



More information:

Go to the website for spec inspiration.

88051 - Airlie Bench Seat

<https://draffin.com.au/product/airlie-double-sided-bench/>

Batten Guide

<https://draffin.com.au/batten-guide/>

Powdercoat Colour Guide

<https://draffin.com.au/colour-guide/>

Stainless Steel Guide

<https://draffin.com.au/stainless-steel-guide/>

DDA guide

<https://draffin.com.au/dda/>