

Airlie Freestanding Seat with Back

89050/FS - Airlie Freestanding Seat with Back
89050/FS/600 - Airlie Freestanding Chair

DRAFFIN
Street Furniture



Airlie Freestanding Seat with Back has a flat bar frame for bolt-down and freestanding installations. Two timber profiles create a unique and comfortable seat or "chair" profile. The Airlie range provides plenty of standard options to suit a wide variety of open space applications.

Size

- 1790mm
- 600mm (Chair)

Batten Material (See batten guide)

110mmx30mm & 40mmx30mm

- Spotted Gum
- Anodised Aluminium
- Powdercoated Aluminium (See colour guide)
- Timber-Look Aluminium - Alpine Ash
- Timber-Look Aluminium - Mountain Gum
- Timber-Look Aluminium - Ironbark
- Enviroslat

Frame Material

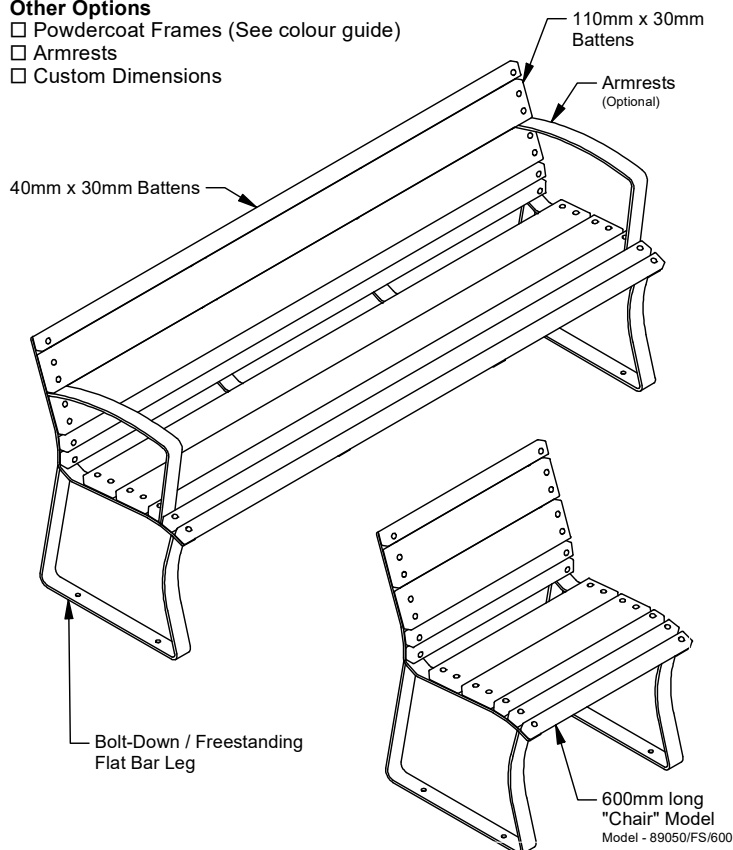
- Galvanised Mild Steel
- 304 Stainless Steel
- 316 Stainless Steel

Mounting Options

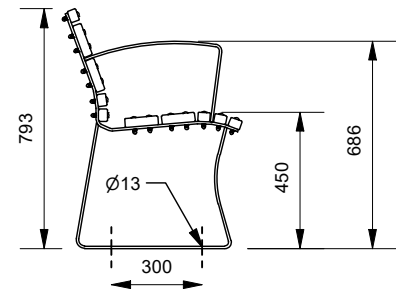
- Bolt Down
- Freestanding

Other Options

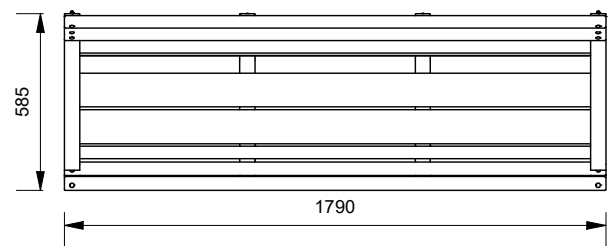
- Powdercoat Frames (See colour guide)
- Armrests
- Custom Dimensions



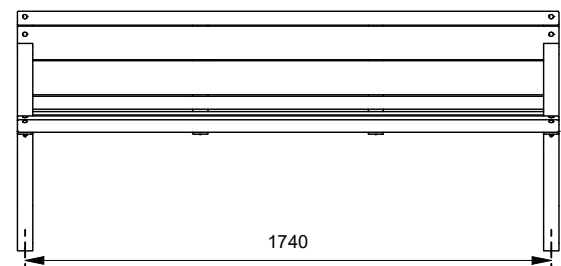
Side



1790mm Long Model Plan View

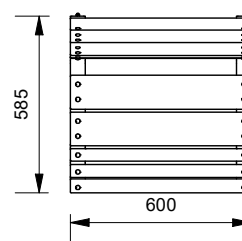


1790mm Long Model Front View

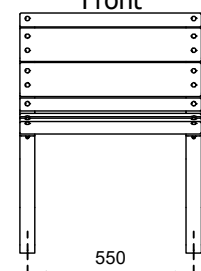


600mm Long Model

Top



Front



More information:

Go to the website for spec inspiration.

88050/FS - Airlie Freestanding Seat with Back

<https://draffin.com.au/product/airlie-seat-with-back-freestanding/>

Batten Guide

<https://draffin.com.au/batten-guide/>

Powdercoat Colour Guide

<https://draffin.com.au/colour-guide/>

Stainless Steel Guide

<https://draffin.com.au/stainless-steel-guide/>

DDA guide

<https://draffin.com.au/dda/>