

888 Infinity Series Domed Cover Bin Surround

Model 88802 - 120lt Infinity Series Domed Cover Bin Surround

DRAFFIN
Street Furniture



*Registered design 201810464.
*Patent no 2018900173

120lt Model

The Infinity Series Domed Cover Bin Surround is easy to clean and has 360 degree access to the opening. Infinity Series offers the largest standard option list of any bin enclosure in Australia to ensure Infinity Series can be specified for use in almost any application.

Size

- 120lt

Cover Material

- Polished 304 Stainless Steel (Standard)
- Polished 316 Stainless Steel
- Powdercoated Mild Steel (See Colour Guide)

Cover Opening

- Standard Square
- Round Recycle

Frame Material

- Powdercoated Mild Steel (See Colour Guide)
- 304 Stainless Steel
- 316 Stainless Steel

Door and Rear Panel Material

- Powdercoated Mild Steel (See Colour Guide)
- 304 Stainless Steel
- 316 Stainless Steel

Side Panel Material

- Powdercoated Mild Steel (See Colour Guide)
- 304 Stainless Steel
- 316 Stainless Steel

Side Panel Battens (optional) (See Batten Guide)

- None
- Spotted Gum Battens
- Enviroslat Composite Battens
- Timber-Look Aluminium Battens

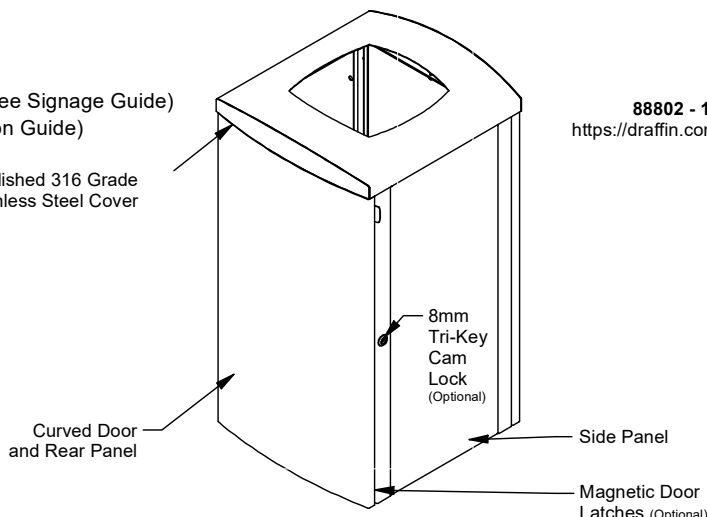
Lock System

- Cam Lock
- Magnet Latch
- Both

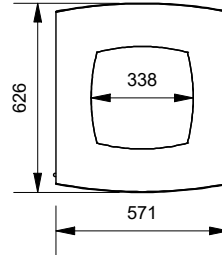
Other Options

- Communication Signage (See Signage Guide)
- Perforations (See Perforation Guide)
- Laser Cut Logo
- Logo Backing Plates

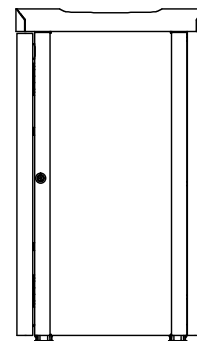
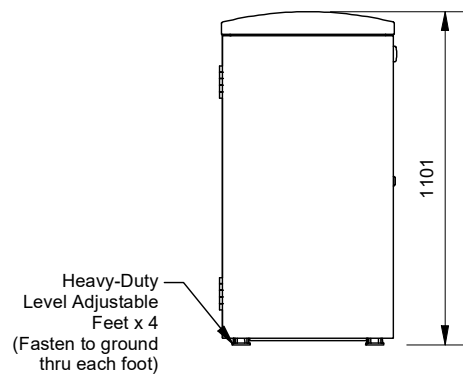
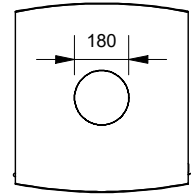
Polished 316 Grade
Stainless Steel Cover



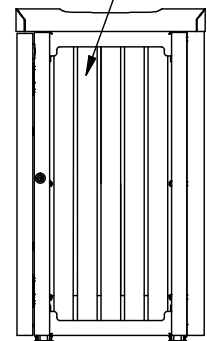
Standard



Recycling



Standard Side Panel Model



Batten Side Panel Model

More information:
Go to the website for spec inspiration.

88802 - 120lt 888 Infinity Series Domed Cover Bin Surround
<https://draffin.com.au/product/infinity-series-bin-surround-domed-cover/>

Colour Guide
<https://draffin.com.au/colour-guide/>

Perforation Guide
<https://draffin.com.au/perforation-patterns/>

Signage Guide
<https://draffin.com.au/signage-guide/>

Batten Guide
<https://draffin.com.au/batten-guide/>

Stainless Steel Guide
<https://draffin.com.au/stainless-steel-guide/>

888 Infinity Series Domed Cover Bin Surround

Model 88812 - 240lt Infinity Series Domed Cover Bin Surround

DRAFFIN
Street Furniture



*Registered design 201810464.
*Patent no 2018900173

240lt Model

The Infinity Series Domed Cover Bin Surround is easy to clean and has 360 degree access to the opening. Infinity Series offers the largest standard option list of any bin enclosure in Australia to ensure Infinity Series can be specified for use in almost any application.

Size

- 240lt

Cover Material

- Polished 304 Stainless Steel (Standard)
- Polished 316 Stainless Steel
- Powdercoated Mild Steel (See Colour Guide)

Cover Opening

- Standard Square
- Round Recycle

Frame Material

- Powdercoated Mild Steel (See Colour Guide)
- 304 Stainless Steel
- 316 Stainless Steel

Door and Rear Panel Material

- Powdercoated Mild Steel (See Colour Guide)
- 304 Stainless Steel
- 316 Stainless Steel

Side Panel Material

- Powdercoated Mild Steel (See Colour Guide)
- 304 Stainless Steel
- 316 Stainless Steel

Side Panel Battens (optional) (See Batten Guide)

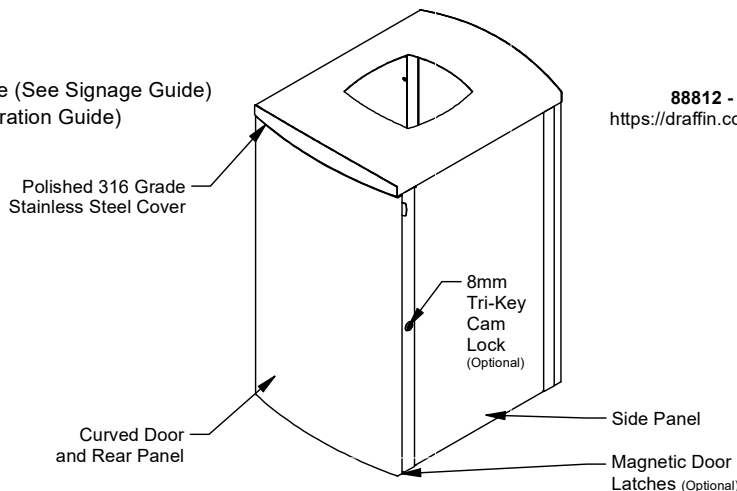
- None
- Spotted Gum Battens
- Enviroslat Composite Battens
- Timber-Look Aluminium Battens

Lock System

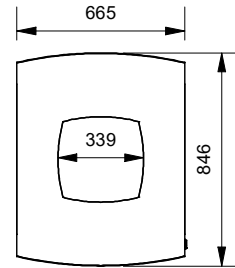
- Cam Lock
- Magnet Latch
- Both

Other Options

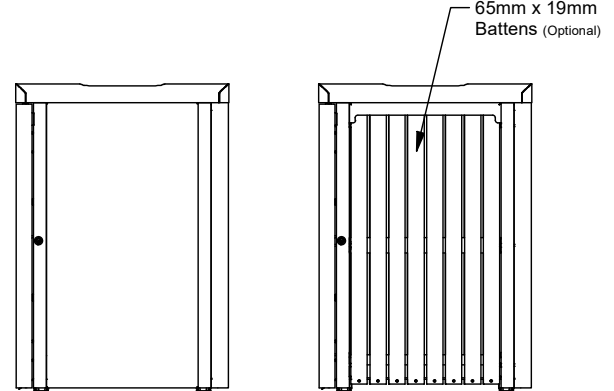
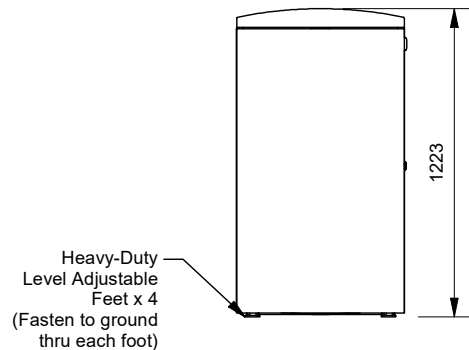
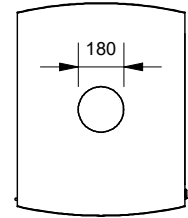
- Communication Signage (See Signage Guide)
- Perforations (See Perforation Guide)
- Laser Cut Logo
- Logo Backing Plates



Standard



Recycling



Standard Side Panel Model

Batten Side Panel Model

More information:
Go to the website for spec inspiration.

88812 - 240lt 888 Infinity Series Domed Cover Bin Surround
<https://draffin.com.au/product/infinity-series-bin-surround-domed-cover/>

Colour Guide
<https://draffin.com.au/colour-guide/>

Perforation Guide
<https://draffin.com.au/perforation-patterns/>

Signage Guide
<https://draffin.com.au/signage-guide/>

Batten Guide
<https://draffin.com.au/batten-guide/>

Stainless Steel Guide
<https://draffin.com.au/stainless-steel-guide/>