

# Glenelg Slim Bench

89077 - Glenelg Slim Bench (Standard 1750mm)

89077/600 - Glenelg Slim Bench (Short 600mm)

**DRAFFIN**  
Street Furniture



The Glenelg Slim Bench is recommended for use with Glenelg Tables, or for standalone use. While appearing lightweight, this comfortable bench is fully welded and has heavy-duty engineered components to ensure high performance in all Australian conditions.

## Bench Length

- 1750mm (Standard)
- 600mm

## Batten Material (See batten guide)

110mm x 30mm

- Spotted Gum
- Enviroslat
- Anodised Aluminium
- Powdercoated Aluminium (See colour guide)
- Timber-Look Aluminium - Alpine Ash
- Timber-Look Aluminium - Mountain Gum
- Timber-Look Aluminium - Ironbark

## Frame Material

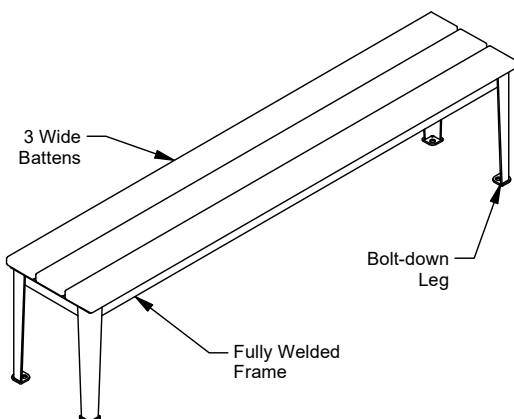
- Galvanised Mild Steel
- 304 Stainless Steel
- 316 Stainless Steel

## Mounting Options

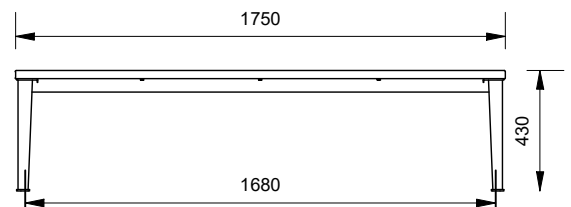
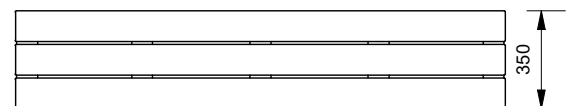
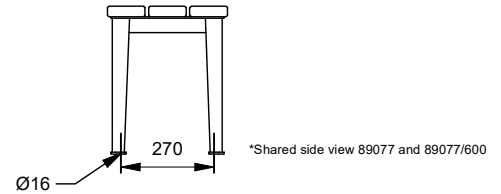
- Bolt Down

## Other Options

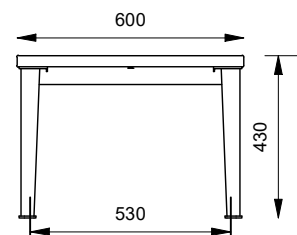
- Powdercoat Frames



## 1750mm Model



## 600mm Model



## More information:

Go to the website for spec inspiration.

**89077** - Glenelg Slim Bench

<https://draffin.com.au/product/glenelg-slim-bench/>

## Batten Guide

<https://draffin.com.au/batten-guide/>

## Colour and Plinth Guide

<https://draffin.com.au/colour-guide/>

## Stainless Steel Guide

<https://draffin.com.au/stainless-steel-guide/>

## DDA guide

<https://draffin.com.au/dda/>