

# Kiama Bench Seat

88728 - Standard Kiama Bench Seat  
88728/FS - Freestanding Kiama Bench Seat

**DRAFFIN**  
Street Furniture



The Kiama Bench is a modern take on the classic park bench. With multiple material options for frames and battens Kiama benches can be specified for indoor or outdoor use.

#### Length Options

- 1790mm (Standard)
- 1000mm

#### Batten Material (See batten guide)

60mmx30mm

- Spotted Gum
- Anodised Aluminium
- Powdercoated Aluminium (See colour guide)
- Timber-Look Aluminium - Alpine Ash
- Timber-Look Aluminium - Mountain Gum
- Timber-Look Aluminium - Ironbark

60mmx40mm

- Enviroslat

#### Frame Material

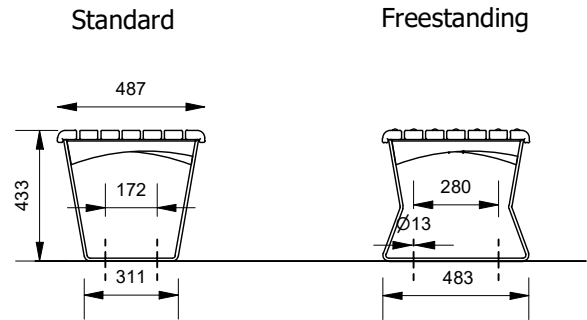
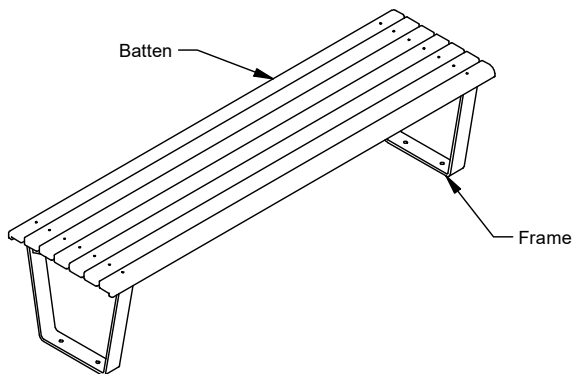
- Galvanised Mild Steel
- 304 Stainless Steel
- 316 Stainless Steel

#### Mounting Options

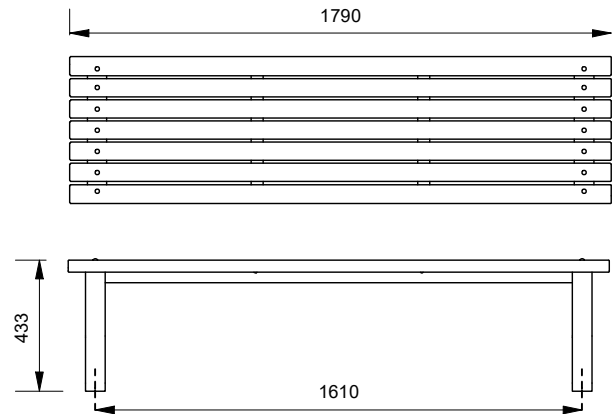
- Bolt Down
- Inground (Ragbolts Supplied)

#### Other Options

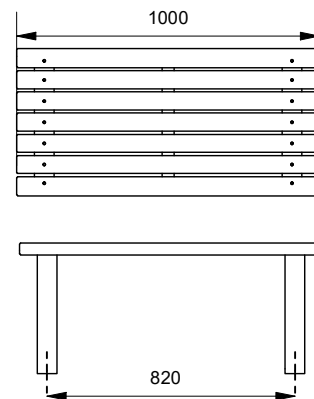
- Powdercoat Frames (See colour guide)
- Custom Dimensions



#### 1790mm Long Model



#### 1000mm Long Model



#### More information:

Go to the website for spec inspiration.

88728 - Kiama Bench Seat

<https://draffin.com.au/product/kiama-bench-seat/>

88728/FS - Freestanding Kiama Bench Seat

<https://draffin.com.au/product/kiama-freestanding-bench-seat/>

#### Batten Guide

<https://draffin.com.au/batten-guide/>

#### Colour and Plinth Guide

<https://draffin.com.au/colour-guide/>

#### Stainless Steel Guide

<https://draffin.com.au/stainless-steel-guide/>

#### DDA guide

<https://draffin.com.au/dda/>