

Kiama Platform Bench Seat

88728/1500x1540 - Standard Kiama Platform Bench Seat

DRAFFIN
Street Furniture



The Kiama Platform Bench provides more seating in a compact space with seating all around the sides. With multiple material options for frames and battens Kiama benches can be specified for indoor or outdoor use.

Length Options

- 1500mm x 1540mm (Standard)

Batten Material (See batten guide)

60mmx30mm

- Spotted Gum
- Anodised Aluminium
- Powdercoated Aluminium (See colour guide)
- Timber-Look Aluminium - Alpine Ash
- Timber-Look Aluminium - Mountain Gum
- Timber-Look Aluminium - Ironbark

60mmx40mm

- Enviroslat

Frame Material

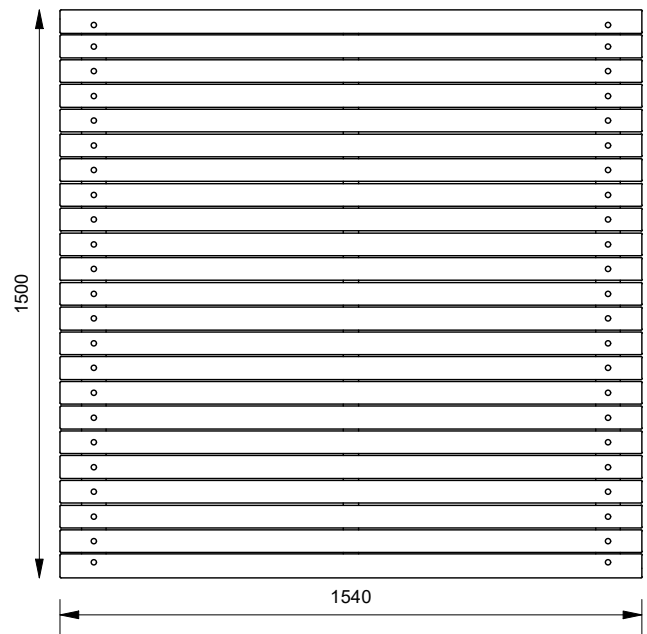
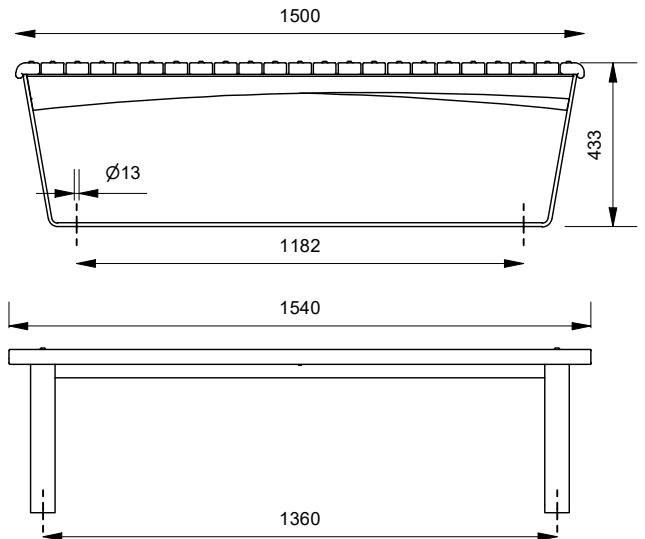
- Galvanised Mild Steel
- 304 Stainless Steel
- 316 Stainless Steel

Mounting Options

- Bolt Down
- Inground

Other Options

- Powdercoat Frames (See colour guide)



More information:
Go to the website for spec inspiration.

88728/1500x1540 - Kiama Platform Bench Seat
<https://draffin.com.au/product/kiama-platform-bench/>

Batten Guide
<https://draffin.com.au/batten-guide/>

Colour and Plinth Guide
<https://draffin.com.au/colour-guide/>

Stainless Steel Guide
<https://draffin.com.au/stainless-steel-guide/>

DDA guide
<https://draffin.com.au/dda/>

