

# Kiama Seat with Back

88727 - Standard Kiama Seat with Back  
88727/FS - Freestanding Kiama Seat with Back

**DRAFFIN**  
Street Furniture



Kiama Seat with Back is a modern take on a classic design. With multiple material options for frames and battens Kiama Seats will suit most applications indoors or outdoors.

## Batten Material (See batten guide)

60mmx30mm

- Spotted Gum
- Anodised Aluminium
- Powdercoated Aluminium (See colour guide)
- Timber-Look Aluminium - Alpine Ash
- Timber-Look Aluminium - Mountain Gum
- Timber-Look Aluminium - Ironbark

60mmx40mm

- Enviroslat

## Frame Material

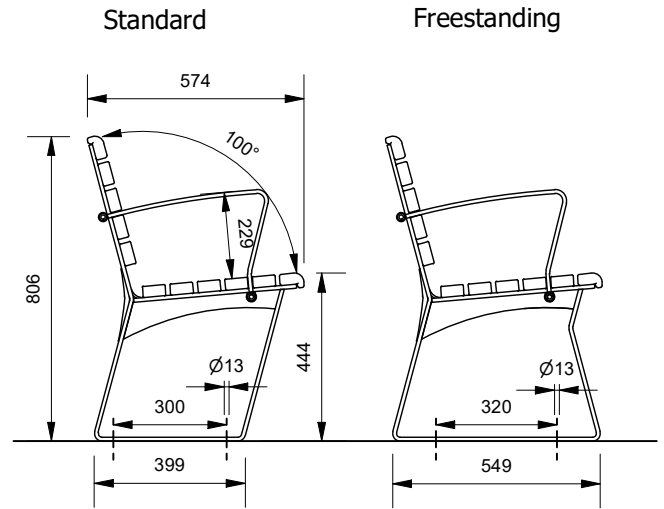
- Galvanised Mild Steel
- 304 Stainless Steel
- 316 Stainless Steel

## Mounting Options

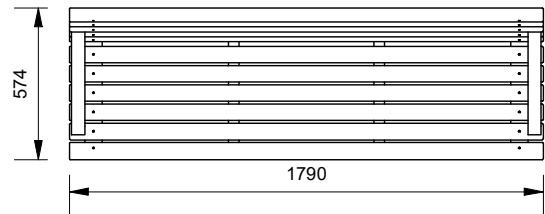
- Bolt Down
- Inground (Ragbolts Supplied)

## Other Options

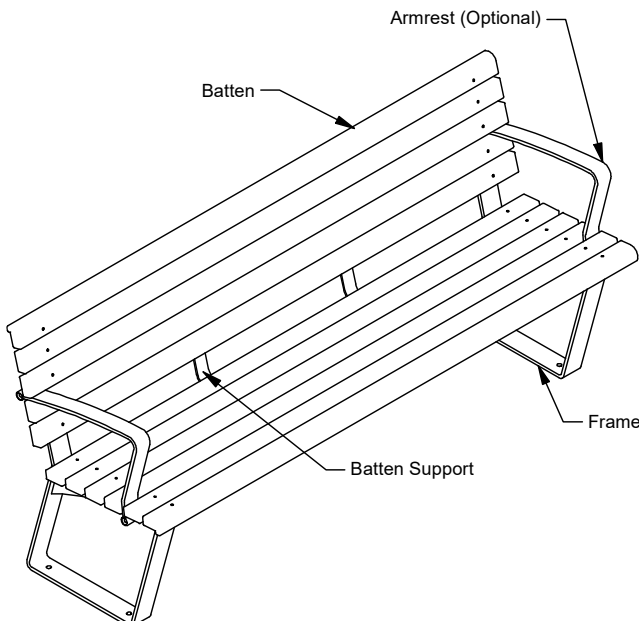
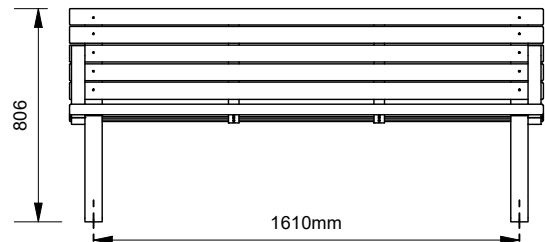
- Powdercoat Frames (See colour guide)
- Armrests
- Custom Dimensions



Plan



Front View



## More information:

Go to the website for spec inspiration.

**88727** - Kiama Seat with Back

<https://draffin.com.au/product/kiama-seat-with-back/>

**88727/FS** - Freestanding Kiama Seat with Back

<https://draffin.com.au/product/kiama-freestanding-seat-back/>

## Batten Guide

<https://draffin.com.au/batten-guide/>

## Colour and Plinth Guide

<https://draffin.com.au/colour-guide/>

## Stainless Steel Guide

<https://draffin.com.au/stainless-steel-guide/>

## DDA guide

<https://draffin.com.au/dda/>