

# Magnum Aluminium Picnic Table

Model 136/SQR/AL/MAGNUM - Magnum Aluminium Picnic Table

**DRAFFIN**  
Street Furniture



The Large Magnum Aluminium Picnic Table is a 12 seater picnic table setting that uses 250mm x 50mm reinforced aluminium planks for tables and benches. Hot-dip galvanised mild steel frames, with side benches that cleverly brace the structure, forming a classic heavy-duty picnic setting that can be used for freestanding or bolt-down applications.

## Batten Options (See Batten Guide)

Aluminium Planks 250mm x 50mm

- Anodised Aluminium
- Powdercoated Aluminium
- Timber-Look Aluminium - Mountain Gum
- Timber-Look Aluminium - Alpine Ash
- Timber-Look Aluminium - Ironbark

## Mounting Options

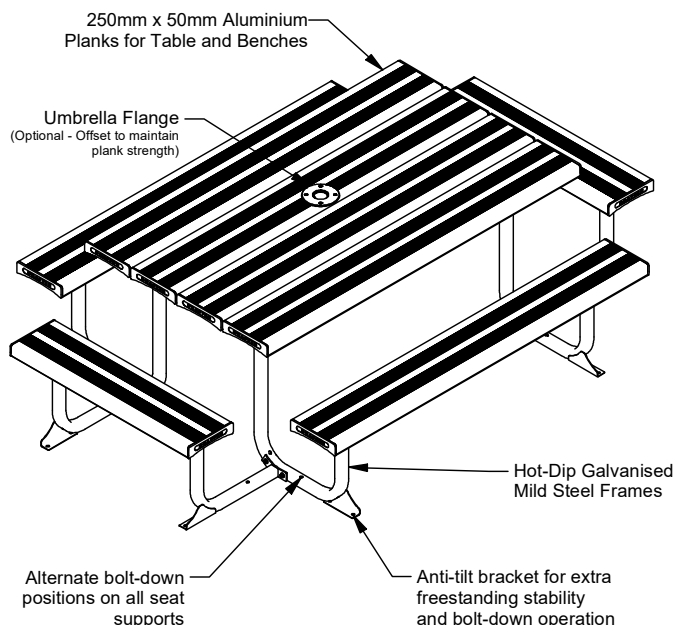
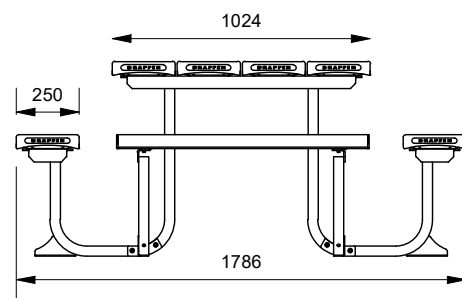
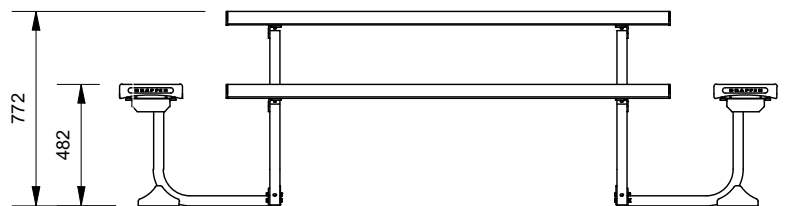
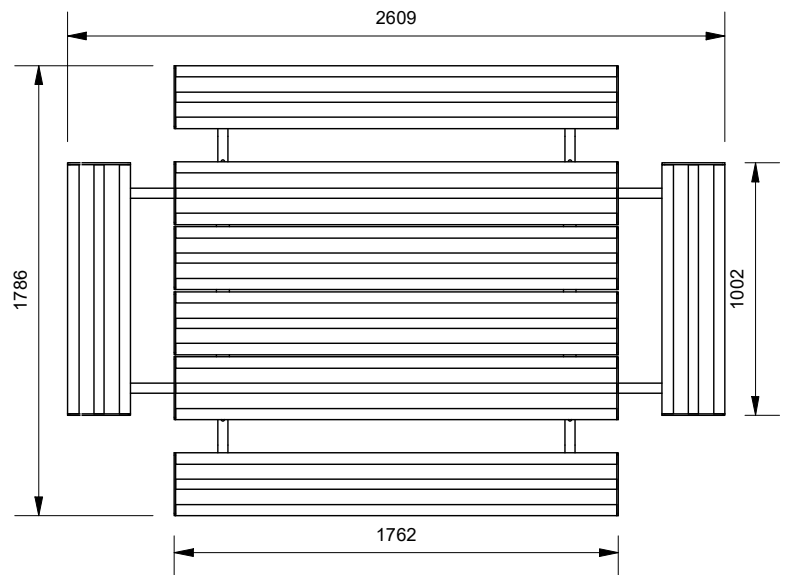
- Bolt Down
- Freestanding
- In-Ground Anchors

## Plank End Caps

- Standard Grey
- Coloured

## Other Options

- Powdercoated Frames (See Colour Guide)
- Chess Board Insert
- Umbrella Flange



More information:

Go to the website for spec inspiration.

**136/SQR/AL/MAGNUM** - Large Magnum Aluminium Picnic Table  
<https://draffin.com.au/product/large-magnum-picnic-table-aluminium/>

Batten Guide  
<https://draffin.com.au/batten-guide/>

Colour Guide  
<https://draffin.com.au/colour-guide/>