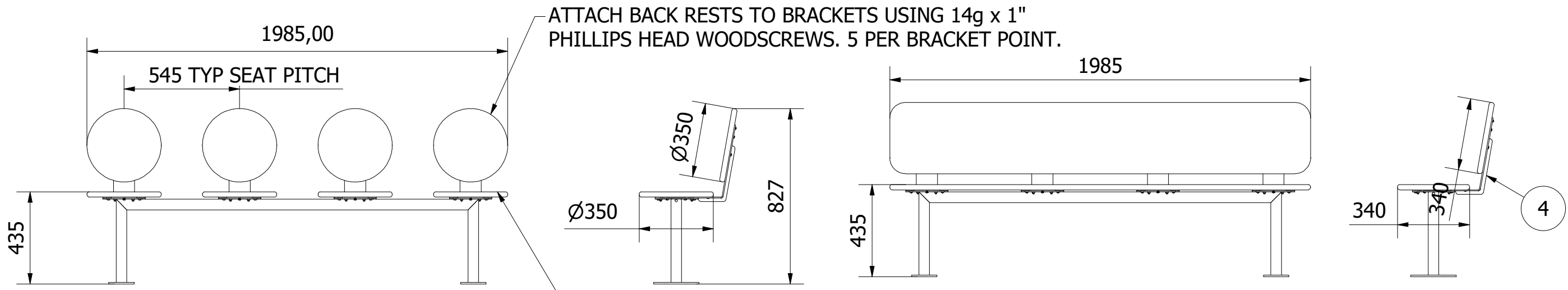
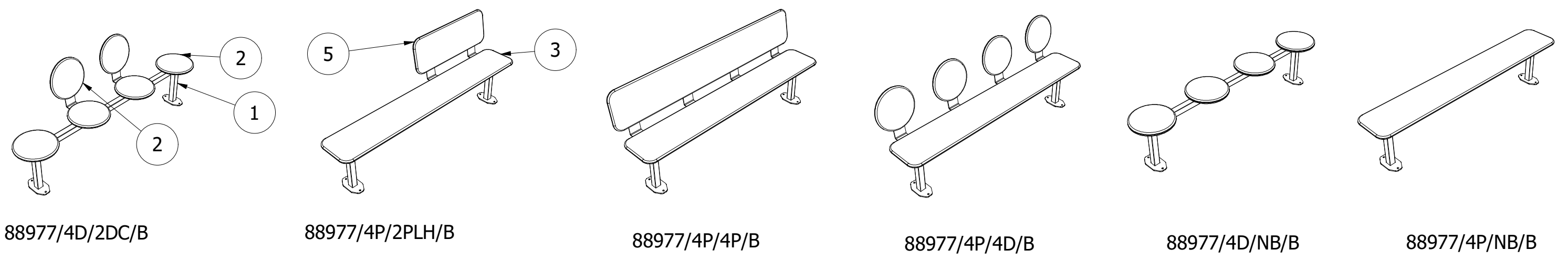


TITLE				CONSTELLATION BENCH SEAT SYSTEM			
PART No.				88977-4			
DWG No.				88977-4.idw		SHEET 1	
MATERIAL SEE BELOW							
<b>DRAFFIN</b>				Part of Assemblies			
EP Draffin Manufacturing Pty Ltd							
9 Edelmaier St Bayswater Vic 3153							
Drawn By		BenDraffin		Drawn Date		31/10/2018	
Rev		Date		Description			
STANDARD TOLERANCES U.S.O		3RD ANGLE PROJECTION		SHEET METAL			
LINEAR		ANGULAR		ALL BENDS 90° U.S.O			
X. ±1		X° ±1°		GENERAL			
X.X ±0.25		X.X° ±0.5°		BREAK ALL SHARP EDGES			
X.XX ±0.05		X.XX° ±0.02					

**\*\*PART NUMBER FORMAT\*\***  
 88977/<SEAT TYPE AND QTY>/<BACKREST TYPE AND QTY><BACKREST POSITION>/ GROUND ATTACHMENT

- **<SEAT TYPE AND QTY>**  
 DISC: <QTY>D  
 PLANK: <QTY>P
- **<BACK REST TYPE AND QTY>**  
 DISC: <QTY>D  
 PLANK: <QTY>P  
 NONE: NB
- **<BACK REST POSTION> (IF NOT FULL LENGTH OR ALL DISCS)**  
 LEFT HAND: LH  
 CENTRE: C  
 RIGHT HAND: RH
- **<GROUND ATTACHMENT>**  
 INGROUND: I  
 BOLTDOWN: B

**MATERIALS / FINISHES:**  
**FRAMES: MILD STEEL / HD GALVANISED / OPTIONA PC**  
**SEAT / BACK REST: REC 25mm HDPE / COLOUR OPTIONS AVAILABLE**  
**FASTENERS: ALL 316SS**



PARTS LIST		
ITEM	PART NUMBER	DESCRIPTION
1	25758	SATELITE BENCH SEAT FRAME 4 PLCS
2	24961	SATELITE SEAT PLASTIC TOP
3	25757-1985	BENCH SEAT TOP SUIT 1985
4	25803	SATELITE BACK REST BRACKET
5	25757-896	BENCH SEAT TOP 896mm