

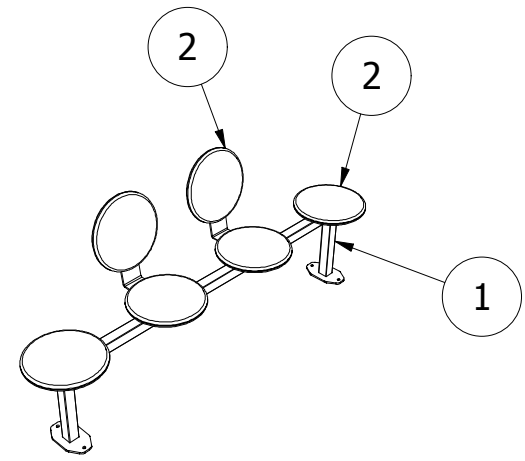
TITLE				SATELITE BENCH SEAT SYSTEM			
PART No.		88977-4					
DWG No.		88977-4.idw		SHEET 1			
MATERIAL SEE BELOW							
DRAFFIN				Part of Assemblies			
EP Draffin Manufacturing Pty Ltd				9 Edelmaier St Bayswater Vic 3153			
Drawn By		BenDraffin		Drawn Date		31-Oct-18	
Rev		Date		Description			
STANDARD TOLERANCES U.S.O		3RD ANGLE PROJECTION		SHEET METAL			
LINEAR		ANGULAR		ALL BENDS 90° U.S.O			
X. ±1		X° ±1°		GENERAL			
X.X ±0.25		X.X° ±0.5°		BREAK ALL SHARP EDGES			
X.XX ±0.05		X.XX° ±0.02					

MATERIALS / FINISHES:
FRAMES: MILD STEEL / HD GALVANISED / OPTIONA PC
SEAT / BACK REST: REC 25mm HDPE / COLOUR OPTIONS AVAILABLE
FASTENERS: ALL 316SS

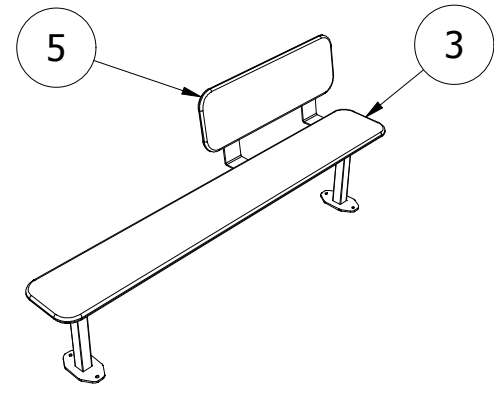
PARTS LIST		
ITEM	PART NUMBER	DESCRIPTION
1	25758	SATELITE BENCH SEAT FRAME 4 PLCS
2	24961	SATELITE SEAT PLASTIC TOP
3	25757-1985	BENCH SEAT TOP SUIT 1720 TABLE (1500mm LONG)
4	25803	SATELITE BACK REST BRACKET
5	25757-896	BENCH SEAT TOP 896mm

****PART NUMBER FORMAT****
88977/4/<SEAT TYPE>/<BACK REST DISC QTY> or <BACK REST TYPE>/BR POSITION

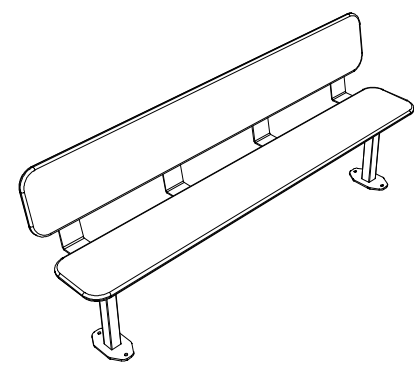
- <SEAT TYPE>**
 DISC: D
 BENCH: B
- <BACK REST DISC QTY>**
 1,2,3,4
- <BACK REST TYPE>**
 FULL LENGTH: F
 HALF LENGTH: H
- <BACK REST POSTION> (IF NOT FULL LENGTH OR ALL DISCS)**
 LEFT HAND: LH
 CENTRE: C
 RIGHT HAND: RH



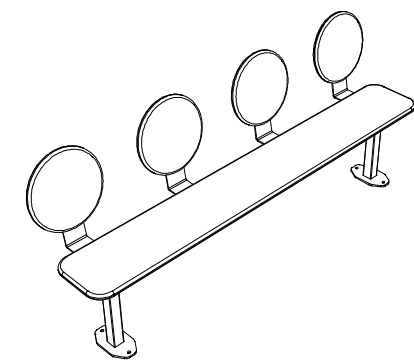
88799/4/D/2/C



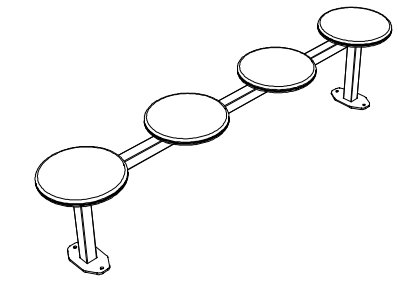
88799/4/B/H/RH



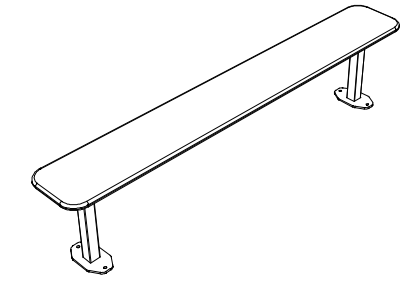
88799/4/B/F



88799/4/B/4



88799/4/D



88799/4/B

