

Kiama Drinking Fountain



General Installation Instructions

- These are generic instructions for the installation of Draffin Street Furniture's Kiama Drinking Fountain.
- These instructions cover the assembly and basic installation of the fountain base cassette, drinking fountain, drain grates and optional dog bowl.
- These instructions do not apply to plumbing standards, feed and waste plumbing, concrete type and method, ground fixings, wall fixings or other items outside the control of Draffin Street Furniture. These items are the responsibility of the installer.
- The fountain should be installed by an appropriately qualified person.
- Further information is available by contacting Draffin Street Furniture (www.draffin.com.au) via the following QR code:

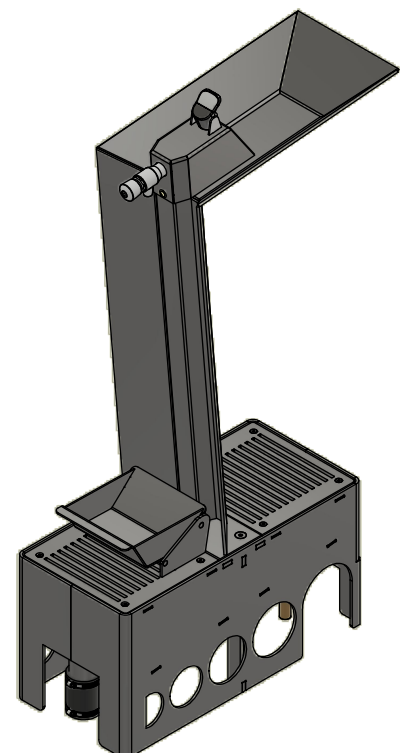


Draffin Street Furniture Website

- General product and contact information

Please note:

- The Kiama Drinking Fountain is supplied assembled with all chosen options.
- The fountains internal plumbing has been factory pressure tested to ensure correct operation with no leaks.
- Modification of the fountain, including internal plumbing may void warranty.
- If there is a fault, with the internal plumbing, please contact Draffin Street Furniture before proceeding.
- The fountain is not supplied with any form of filtration. If this is required for the installation location, it is the responsibility of the installer to supply and fit before the feed connection.



Install Cassette

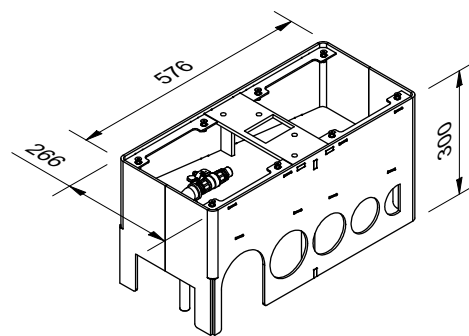
Position Cassette

Carefully remove the fountain body, grates and if fitted, dog bowl assemble and set aside.

Prepare the location for the fountain. This requires:

- A hole to suit the cassette and concrete footing allowance.
- Ø50mm Waste pipe
- Water feed with 1/2" BSP connection.

Note: Use the cassette for dimensions and pipe locations.



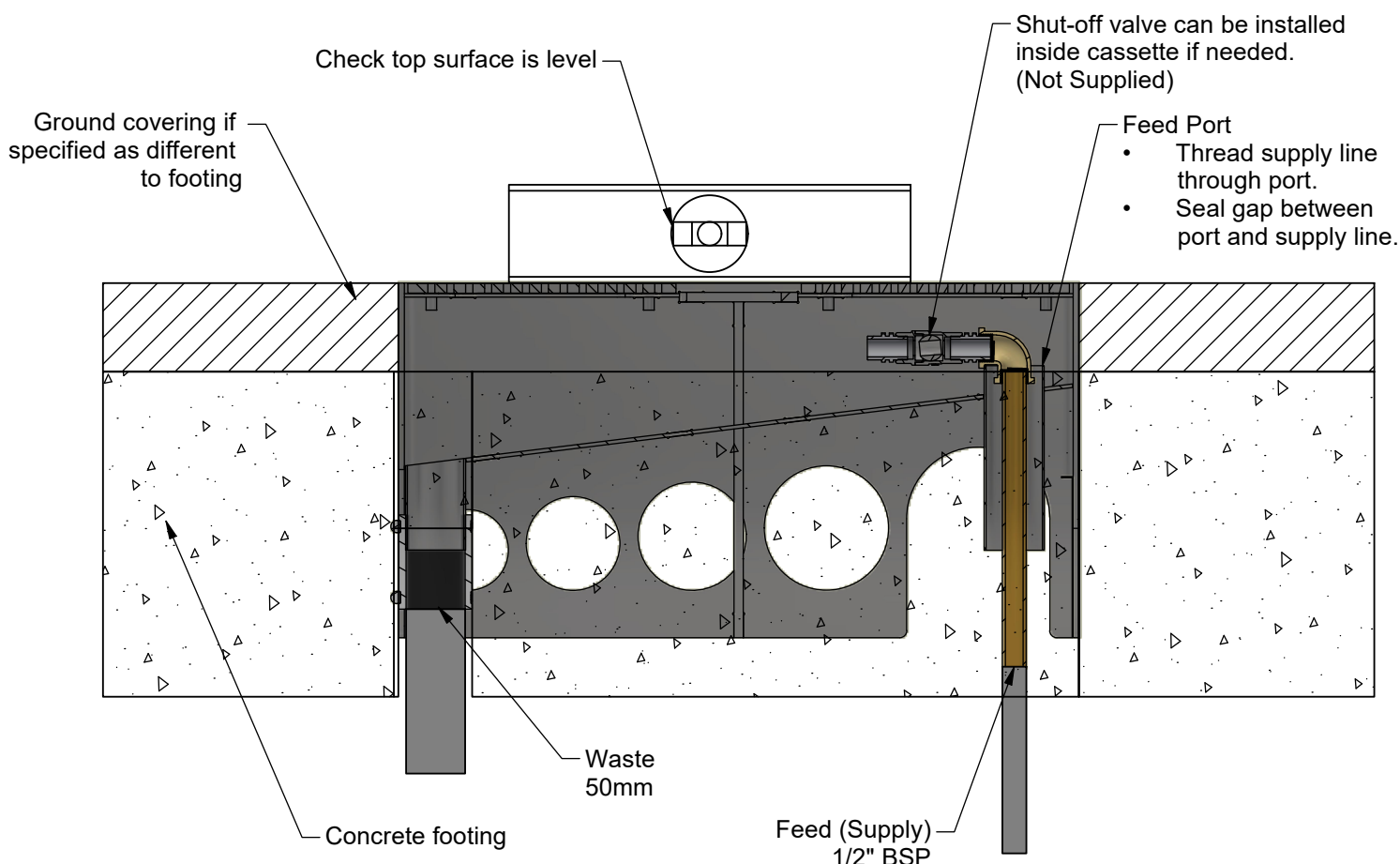
Install Cassette

- Place the cassette in the prepared hole and connect both the waste and feed pipes.
- Ensure that the top face is level and fix so that the cassette will remain in place while the concrete footing is poured.

Note: The top face needs to align with the finished ground surface.

- Pour concrete footing to fix the cassette into the ground.
- Finish the top surface level with the top surface of the cassette:
- Seal the feed port pipe around the feed supply line to ensure water cannot escape from the cassette into the ground.

Warning: Take care not to let concrete enter the cassette or the tops of the supplied screws or threads. Ensure all cassette surfaces are cleaned before the concrete sets.



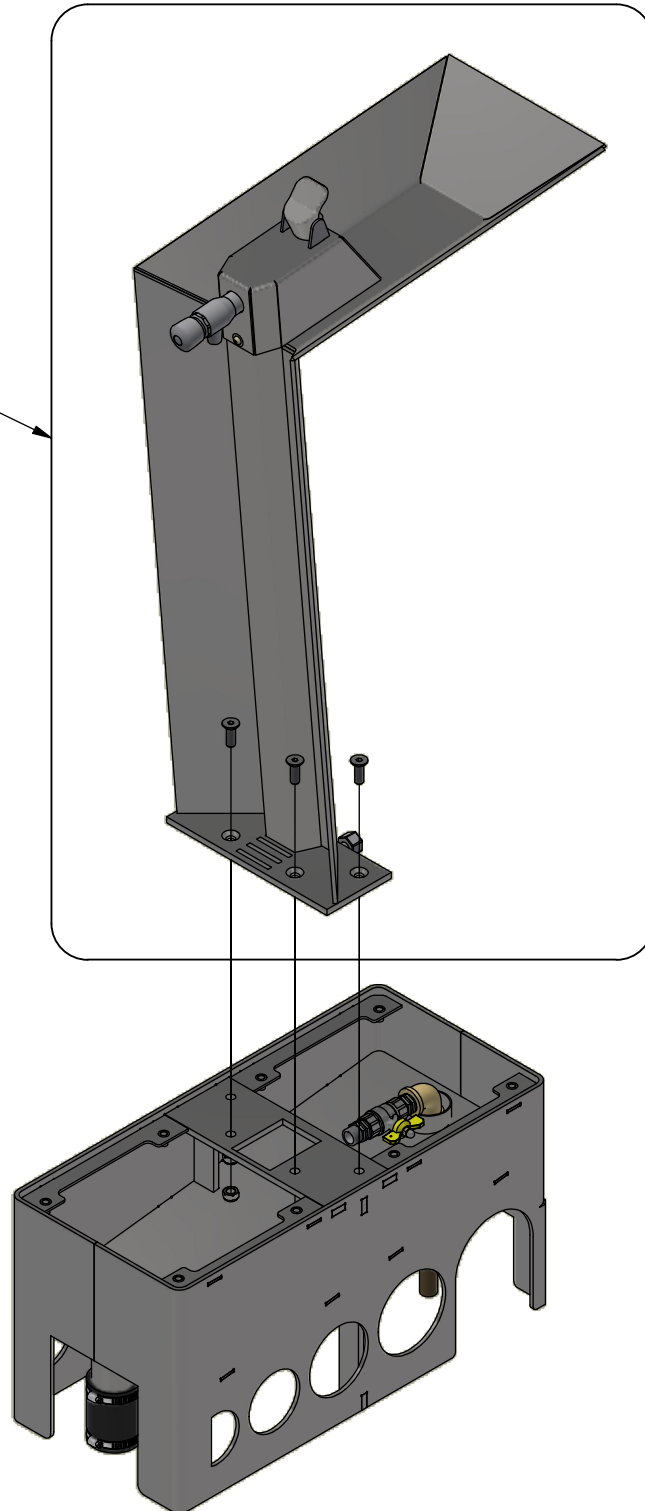
Install Fountain

Install Fountain

Before proceeding, ensure that the concrete has set and the cassette is secured.

- Clean the mounting faces of the cassette.
- Using the supplied countersunk screws, attach the fountain body to the cassette. Do not tighten at this stage.
- Attach the braided, flexible hose from the fountain to the feed pipe.
- Turn on the water feed and check for leaks.

Take care not to scratch any of the fountain body surfaces



Install Grates / Dog Bowl

Install Fountain

The fountain can be fitted with either 2 x grates or, 1 grate and 1 dog bowl. The following applies to both options:

- Clean the mounting faces of the cassette.
- Place the grate / so that the brushed side is facing up and attach using supplied M6 countersunk screws.
- Ensure there is an even gap between the grates and the fountain base plate and tighten all screws.

